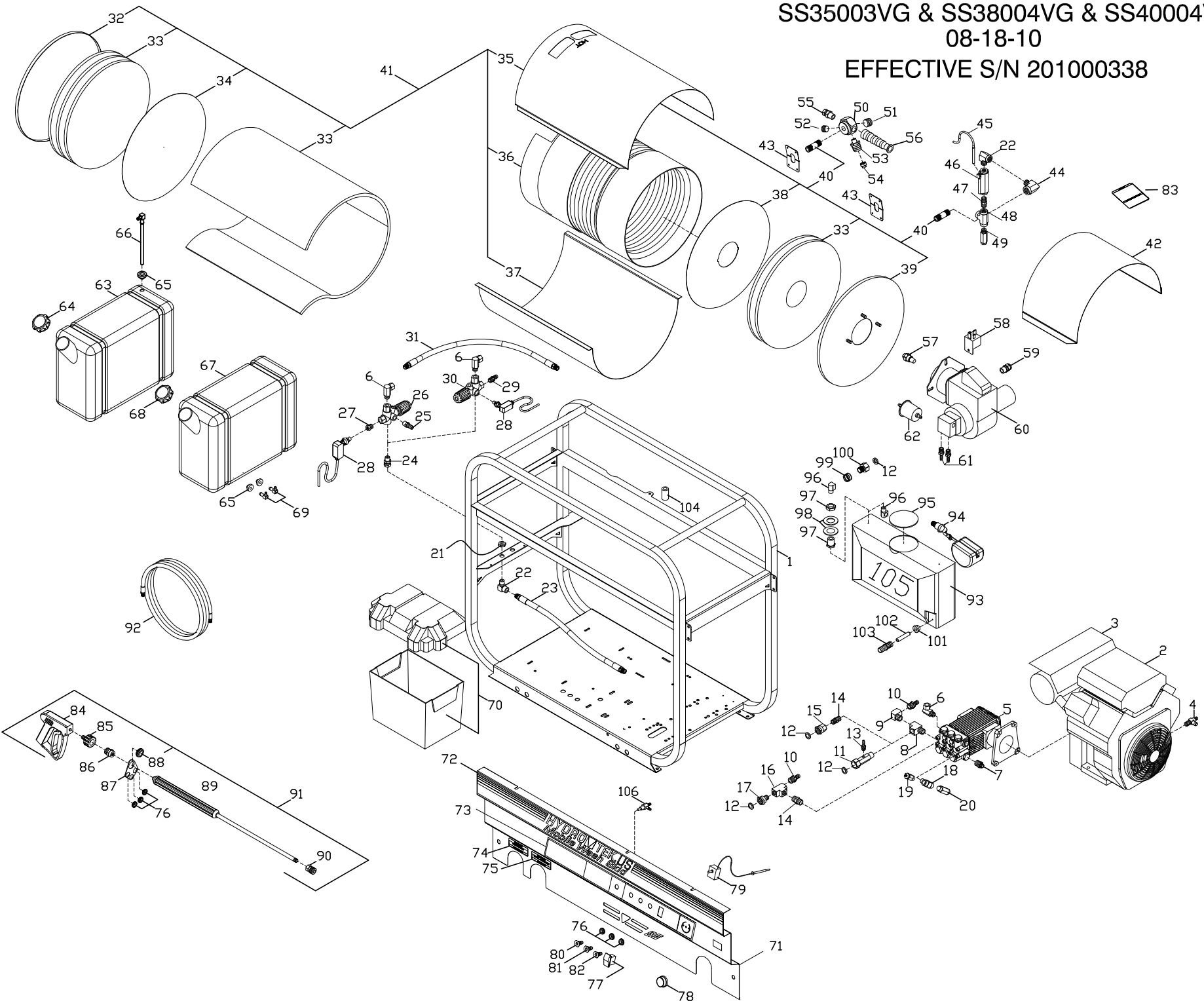


SS SERIES DIRECT DRIVE SS35003VG & SS38004VG & SS40004VC

08-18-10

EFFECTIVE S/N 201000338



SS35003VG, SS38004VG, SS40004VC (DIRECT DRIVE) PARTS LIST
S/N 201000338
8/18/2010

1	HSS00	FRAME STACKABLE B/D SS ASSEM	38	BN126	INSUL DISC RETAINER 17.5 DIA. W/HOLE	75	GLL20	LABEL DIESEL FUEL ONLY
2	MS145	ENGINE 14hp VANGUARD E/S (SS35003VG,SS38004VG)	39	B0017	END CAP (FLAT END COIL) 18in BURNER	76	HLB09	GROMET NOZZLE HOLDER***
	MS150	ENGINE GAS 16HP VANGUARD E/S (SS40004VC)	40	BC850	BURNER NIPPLE; 1/2 x 5 SCH80	77	EC405	ROCKER SWITCH CLR 12V 20A DPST
3	HSS05	VAN MUFF/HEAT SHIELD LEFT #1				78	ECH70	KNOB; BLUE .25 x 1.50od
4	MS006	OIL DRAIN VALVE 3/8	41	BC225	COIL ASM 4PK (FLAT END COIL)	79	ECH50	THERMOSTAT; 60-260 1 GP PART=25
5	PG404	PUMP 4@4000; GENERAL 1 DD (SS35003VG,SS38004VG)	42	HHP15	BURNER RAINGUARD-HP-2004	80	NQ402	NOZZLE/QDC 04 x 15 (SS38004VG,SS40004VC)
	P4060	PUMP 66 DX40GG1 4000 @ 4 SHAFT (SS40004VC)	43	B2324	COIL NIPPLE RETAINER 1/2in		NQ352	NOZZLE/QDC 035 x 15 (SS35003VG)
6	DE866	SWIVEL 3/8F x 3/8M 90	44	DE586	STREET ELL 1/2F x 3/8M STEEL			
7	UPT46	THERM DUMP VALVE 145f 1/2MPT	45	VS003	REED SWITCH	81	NQ404	NOZZLE/QDC 04 x 40 (SS38004VG,SS40004VC)
8	D6588	STREET TEE 1/2 BRASS (SS38004VG,SS40004VC)	46	VS005	FLOW SWITCH 8 @ 4200 ST5		NQ354	NOZZLE/QDC 035 x 40 (SS35003VG)
9	D5588	ELBOW, STREET 1/2" BRASS (SS38004VG,SS40004VC)	47	DB506	NIPPLE 3/8 STEEL	82	NQ353	NOZZLE/QDC 035 x 25 (SS38004VG,SS40004VC)
10	D8088	HOSE BARB 1/2 BRASS	48	DE066	TEE 3/8 STEEL		NQ303	NOZZLE/QDC 03 x 25 (SS35003VG)
			49	UP045	PRESSURE RELIEF 4500+15% 500q	83	GLL30	MAINTENANCE LABEL 4 x 4
11	D009M	GARDEN H A 3" LONG 1/2 NPT (SS40004VC)	50	HHA01	HEX MANI OUTLET 1/2 x 1/2 REEL	84	VG200	TRIGGER GUN, INSULATED 4000psi
12	D0021	SCREEN WASHER GARDEN H A				85	DQ74T	M22 TWIST COUPLER 1/4" MALE
13	D8044	HOSE BARB BRASS 1/4 (SS40004VC)	51	D1082	PLUG 1/2 STEEL HEX HEAD FLUSH	86	DQ74F	TWIST COUPLER 1/4" PLUG FEM-sut
14	D2088	NIPPLE 1/2 BRASS (SS35003VG,SS38004VG)	52	D1061	PLUG 3/8 STEEL HEX HEAD FLUSH	87	HNZ05	NOZZLE HOLDER (FOR WAND)
15	D008F	GARDEN H A 1/2 NPT FEM (SS38004VG)	53	UPB05	ADAPTER FITING-BURST DISC***	88	HLB30	GROMET; WAND 1"
16	D6088	TEE 1/2 BRASS (SS35003VG)	54	UPB80	BURST DISC 8000psi TORQUE 32-4	89	VW045	WAND 1/4 x 48in MOLDED GRIP
17	D008M	GARDEN H A 1/2 NPT MALE (SS35003VG)	55	DE568	SWIVEL 3/8F x 1/2M STEEL	90	DQ04S	COUPLER 1/4 SOCK FEM
18	DEB66	BRANCH TEE 3/8 STEEL (SS40004VC)	56	ECH75	HEAVY DUTY BEND RESTRICTOR -B			
19	VA010	EZ START VALVE (SS40004VC)	57	BZ225	FUEL NOZZLE 2.25 80B (SS38004VG,SS40004VC)	91	AVGH3	WAND ASSEM 48" MOLDED GRIP W/NOZZLE HOLDER
20	UP045	PRESSURE RELIEF 4500 + 15% (SS40004VC)		BZ175	FUEL NOZZLE 1.75 80B (SS35003VG)	92	DH057	HOSE 3/8 x 50' 4000psi 250f re
			58	ECC05	RELAY; BURNER 12V 70 AMP		ABMAG	OPERATION PACKET GENERAL PRO
21	D7061	HEX NUT 3/8 BRASS-REMOTE UNLOADER	59	EWC08	STRAIN RELIEF 1/2 HEYCO (3/8)			
22	DC568	STREET ELL 3/8 STEEL	60	BU013	BURNER; BECKET 12V W/SUPPORT			
23	DH026	HOSE 3/8 x 30in 5000psi NO WIP				OPTIONAL		
24	DE566	SWIVEL 3/8 STEEL	61	D8044	BARB; HOSE 1/4 BRASS* .312 t	93	WT040	TANK FLAT 4 GAL HD LINEAR (NO HOLES)
25	D8068	HOSE BARB 1/2H x 3/8P BRASS (SS38004VG,SS40004VC)	62	BF015	FUEL FILTER; INLINE	94	VVF08	FLOAT VALVE 3/8 BRASS
26	UU323	UNLOADER 4350si 8GPM AR (SS38004VG,SS40004VC)	63	WT07R	FUEL TANK 7.5 GAS RED	95	HH400	FLOAT TANK COVER HINGED
27	DA064	BUSHING 3/8M x 1/4 STEEL (SS38004VG,SS40004VC)	64	WT081	FUEL CAP; GASOLINE	96	D5566	STREET ELL 3/8 BRASS
28	VS030	PRESSURE SWITCH 4000 1/4" PR16	65	DFF04	FUEL TANK BUSHING 1/4	97	D7520	PANEL FITTING 3/4 BRASS
29	D8084	HOSE BARB 1/2H x 1/4 BRASS (SS35003VG)	66	DF599	FUEL TANK ADAPTER W/PLASTIC TUBE	98	FW701	FLOAT TANK WASHER 1.75od 14GA SS
30	UU260	UNLOADER; 3600 8GPM ST260 NO S (SS35003VG)	67	WT075	FUEL TANK 7.5 DIESEL CLEAR*	99	D0010	SPRING GARDEN H A
			68	WT080	FUEL CAP; DIESEL	100	D006M	GARDEN H A 3/8 NPT MALE
31	DH032	HOSE 3/8 x 30in 5000psi NO WIP	69	DFF04	FUEL TANK ELL 1/4	101	DFF10	WATER TANK BUSHING
32	B0029	COIL CAP (FLAT END COIL) NO HOLE	70	HB100	BATTERY BOX ATTWOOD G24 (LARGE)	102	VF050	STRAINER TUBE FOR FLOAT TANK
33	BN053	INSUL BLKT 50sq' 1/2 x 24 8# 25'				103	D1010	SPLICE 5/8 BRASS
34	BN125	INSUL DISC RETAINER 17.5DIA	71	HSS03	SS PROLINE CON PANEL NO RADIUS	104	HSS20	FLOAT TANK SPACER (SS SERIES)
35	B0089	COIL WRAP (FLAT END COIL) TOP	72	GLL79	LABEL, HYDRO TEK 47.375 x 3	105	WT046	FLOAT TANK ASM w/VALVE / FILTER
36	BC480	COIL, 4PK SCH 80	73	GLL23	LABEL, SS PRO BURNER CNTL 24.75	106	VVC10	CHEMICAL MET VALVE MV-100
37	B0088	COIL WRAP (FLAT END COIL) BOTTOM	74	GLL10	LABEL GASOLINE ONLY			