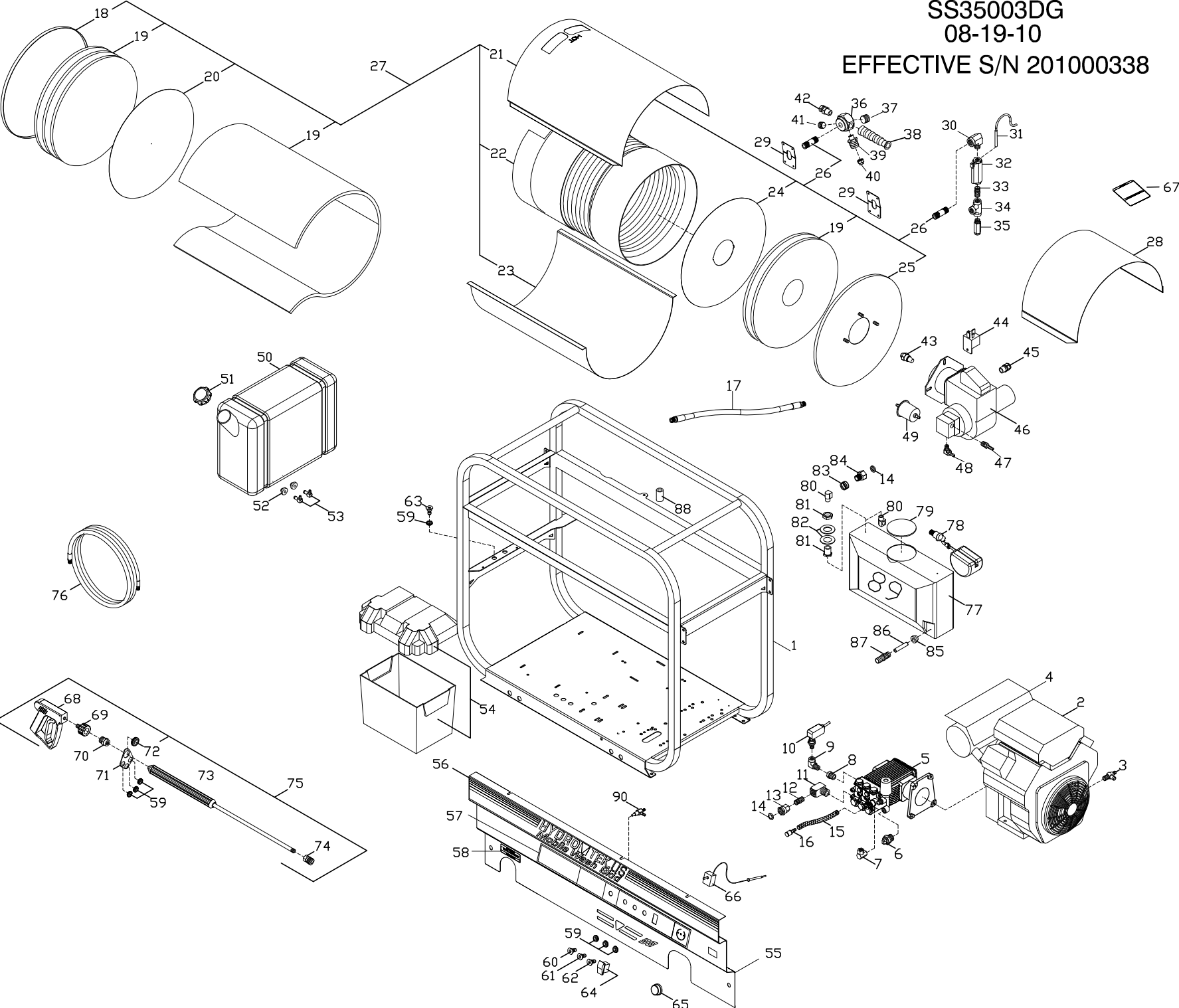


SS SERIES DIRECT DRIVE

SS35003DG

08-19-10

EFFECTIVE S/N 201000338



SS35003DG (DIRECT DRIVE) PARTS LIST

S/N201000338

19-Aug-10

1	HSS00	FRAME STACKABLE B/D SS ASSEM		47	D8044	BARB; HOSE 1/4 BRASS* .312 t
2	MKU10	ENGINE, KOHLER DIESEL 10.3 HP		48	D8040	HOSEBARB 1/4 90 ELBOW
3	MS006	OIL DRAIN VALVE 3/8		49	BF015	FUEL FILTER; INLINE
4	HSS18	BURNER SHEILD - 10.3 KHOLER DSL		50	WT075	FUEL TANK 7.5 DIESEL CLEAR*
5	PG303	PUMP 3 @ 3500 W/UNL/INJ 1" GAS		51	WT080	FUEL CAP; DIESEL
6	UPT46	THERM DUMP VALVE 145f 1/2MPT		52	DFF04	FUEL TANK BUSHING 1/4
7	DE766	SWIVEL 3/8F x 90 STEEL		53	DFE04	FUEL TANK ELL 1/4
8	DA064	BUSHING 3/8 x 1/4 STEEL		54	HB100	BATTERY BOX ATTWOOD G24 (LARGE)
9	DC043	STREET ELL 1/4 STEEL		55	HSS12	SS CONTROL PANEL
10	VS030	PRESSURE SWITCH 4000 1/4" PR16		56	GLL79	LABEL HYDRO TEK 47.375 x 3
11	D5588	STREET ELL 1/2 BRASS		57	GLL23	LABEL SS PRO BURNER CNTL 24.75
12	D2088	NIPPLE 1/2 BRASS		58	GLL20	LABEL DIESEL FUEL ONLY
13	D008F	GARDEN H A 1/2 NPT FEM		59	HLB09	GROMET NOZZLE HOLDER***
14	D0021	SCREEN WASHER GARDEN H A		60	NQ302	NOZZLE / QDC 03 x 15
15	DHB04	TUBING; CLEAR BRAIDED; 1/4		61	NQ304	NOZZLE / QDC 03 x 40
16	VF042	STRAINER CHEM (NO CHECK)		62	NQ253	NOZZLE / QDC 025 x 25
17	DH003	HOSE 3/8 x 18 4000 PSI		63	NQ970	NOZZLE / QDC 40.0 x 25
18	B0029	COIL CAP (FLAT END COIL) NO HOLE		64	EC405	ROCKER SWITCH CLR 12V 20A DPST
19	BN053	INSUL BLKT 50sq' 1/2 x 24 8# 25'		65	ECH70	KNOB; BLUE .25 x 1.50od
20	BN125	INSUL DISC RETAINER 17.5DIA		66	ECH50	THERMOSTAT; 60-260 1 GP PART=25
21	B0089	COIL WRAP (FLAT END COIL) TOP		67	GLL30	MAINTENANCE LABEL 4 x 4
22	BC480	COIL, 4PK SCH 80		68	VG200	TRIGGER GUN, INSULATED 4000psi
23	B0088	COIL WRAP (FLAT END COIL) BOTTOM		69	DQ74T	M22 TWIST COUPLER 1/4" MALE
24	BN126	INSUL DISC RETAINER 17.5 DIA. W/HOLE		70	DQ74F	TWIST COUPLER 1/4" PLUG FEM-sut
25	B0017	END CAP (FLAT END COIL) 18in BURNER		71	HNZ05	NOZZLE HOLDER (FOR WAND)
26	BC850	BURNER NIPPLE; 1/2 x 5 SCH80		72	HLB30	GROMET; WAND 1"
27	BC225	COIL ASM 4PK (FLAT END COIL)		73	VW045	WAND 1/4 x 48in MOLDED GRIP
28	HHP15	BURNER RAINGUARD-HP-2004		74	DQ04S	COUPLER 1/4 SOCK FEM
29	B2324	COIL NIPPLE RETAINER 1/2in		75	AVGH3	WAND ASSEM 48" MOLDED GRIP W/NOZZLE HOLDER
30	DE586	STREET ELL 1/2F x 3/8M STEEL		76	DH057	HOSE 3/8 x 50' 4000 PSI 250F
31	VS003	REED SWITCH			ABMAG	OPERATION PACKET GENERAL PRO
32	VS005	FLOW SWITCH 8 @ 4200 ST5			OPTIONAL	
33	DB506	NIPPLE 3/8 STEEL		77	WT040	TANK, FLOAT 4 GAL HD LINEAR (NO HOLES)
34	DE066	TEE 3/8 STEEL		78	VVFO8	FLOAT VALVE 3/8 BRASS
35	UP045	PRESSURE RELIEF 4500 = 15% 500q		79	HH400	FLOAT TANK COVER HINGED
36	HHA01	HEX MANI OUTLET 1/2 x 1/2 REEL		80	D5566	STREET ELL 3/8 BRASS
37	D1082	PLUG 1/2 STEEL HEX HEAD FLUSH		81	D7520	PANEL FITTING 3/4 BRASS
38	ECH75	HEAVY DUTY BEND RESTRICTOR -B		82	FW701	FLOAT TANK WASHER 1.75od 14GA SS
39	UPB05	ADAPTER FITING-BURST DISC***		83	D0010	SPRING GARDEN H A
40	UPB80	BURST DISC 8000psi TORQUE 32-4		84	D006M	GARDEN H A 3/8 NPT MALE
41	D1061	PLUG 3/8 STEEL HEX HEAD FLUSH		85	DFF10	WATER TANK BUSHING
42	DE568	SWIVEL 3/8F x 1/2M STEEL		86	VF050	STRAINER TUBE FOR FLOAT TANK
43	BZ175	FUEL NOZZLE 1.75 80B		87	D1010	SPLICER 5/8 BRASS
44	ECC05	RELAY; BURNER 12V 70 AMP		88	HSS20	FLOAT TANK SPACER (SS SERIES)
45	EWC08	STRAIN RELIEF 1/2 HEYCO (3/8)		89	WT046	FLOAT TANK ASM w/VALVE / FILTER
46	BU013	BURNER; BECKET 12V W/SUPPORT		90	VVC10	CHEMICAL MET VALVE MV-100 MOD