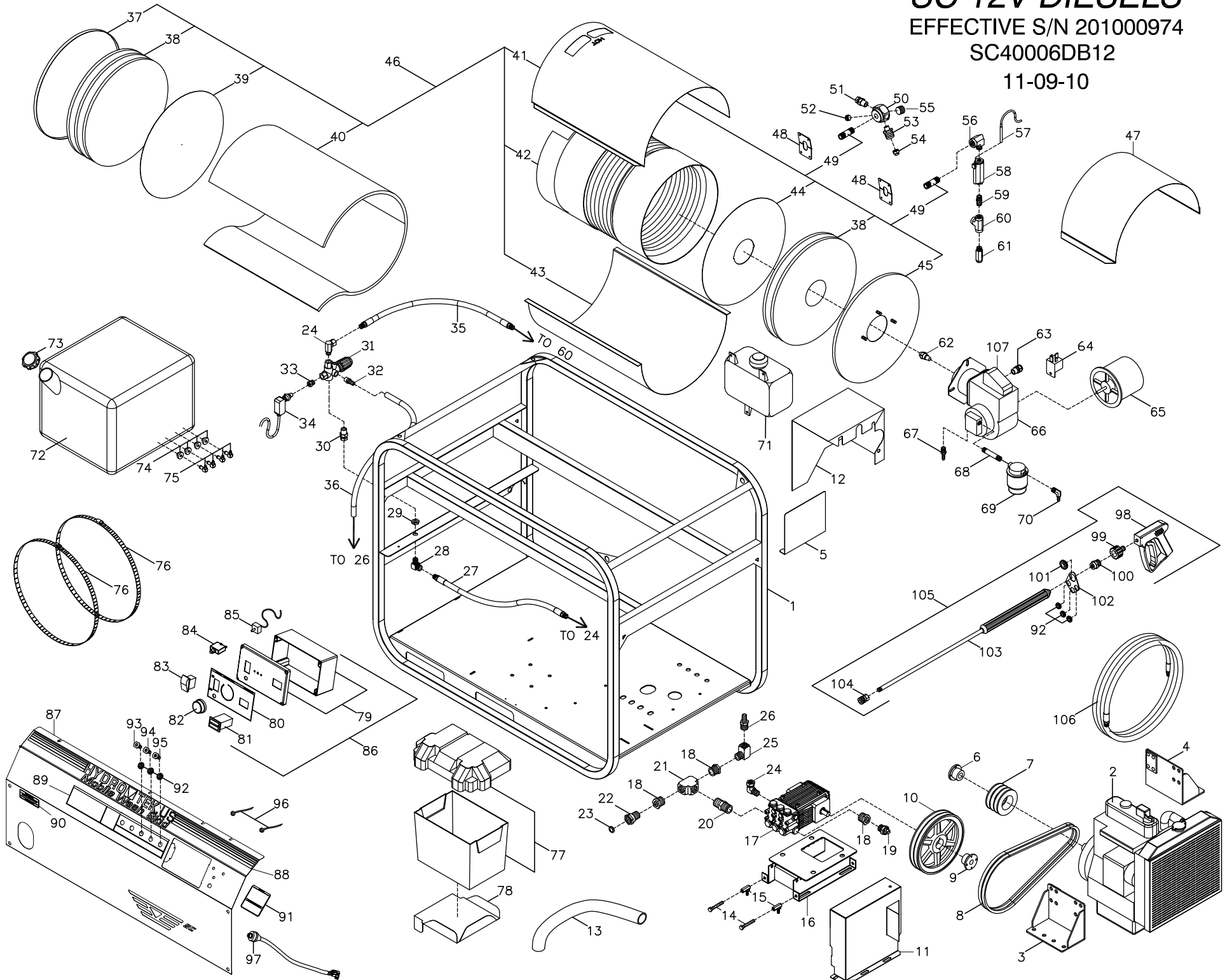


# SC 12V DIESELS

EFFECTIVE S/N 201000974

SC40006DB12

11-09-10



## SC40006DB12 PARTS LIST

S/N201000974

9-Nov-10

1	HSC63	SC FRAME DIESEL P COATED PROTECT IT FRAME-2008	40	BN053	INSUL BLKT50SQ 1/2 x 24 8# 25'	79	HSS51	LASER CUT BOX ASM
2	MU168	ENGINE, KUBOTA 16.8 HP	41	B0089	COIL WRAP (FLAT END COIL) TOP			
3	HS228	ZINC ENGINE MOUNT LEFT 16.8 HP NEW FOR Z602 KUBOTA	42	BC480	COIL 4PK SCH 80	80	GLL57	LABEL; SC/SS PANEL CONTROL BOX**
4	HS229	ZINC ENGINE MOUNT RIGHT 16.8 HP NEW FOR Z602 KUBOTA	43	B0088	COIL WRAP (FLAT END COIL) BOTTOM	81	EM305	HOOR METER 12 VOLT DC
5	MU222	PULLEY GUARD 17HP KUBOTA	44	BN126	INSUL DISC RETAINER 17.5 DIA W/HOLE	82	ECH70	KNOB; BLUE .25id x 1.5od
6	KSP18	BUSHING P1 x 1 1/8"	45	B0017	END CAP (FLAT END COIL) 18IN BURNER	83	EC405	ROCKER SWITCH CLR 12V 20A DPST
7	KV038	SHEAVE 3TB38	46	BC225	COIL ASM 4PK (FLAT END COIL) 5/01	84	ECF15	CIRCUIT BREAKER 20 AMP8
8	KSB4X	BELT BX40	47	HHP15	BURNER RAIN GUARD-HP-2004	85	ECH55	THERMOSTAT; 60-190F***
9	KSH19	BUSHING H24MM	48	B2324	COIL NIPPLE RETAINER 1/2in	86	ESC12	ELEC BOX 12V DC
			49	BC850	BURNER NIPPLE 1/2" x 5' SCH 80	87	HSC24	CONTROL PANEL SC-DIESEL KEY SWITCH/CHOKE/LIGHT
10	KU100	SHEAVE 2BK100H				88	GLL79	LABEL, HYDRO TEK 47.375 x 3
11	HSC61	SC PUMP BELT GUARD KOHLER 18HP	50	HHA01	HEX MANI OUTLET 1/2" x 1/2" REEL	89	GLL54	LABEL, SC VARIABLE FLOW INSTRUCTIONS
12	MU212	FLYWHEEL GUARD 12.5 HP KUBOTA	51	DE568	SWIVEL 3/8"F x 1/2"M STEEL			
13	DHR75	RADIATOR HOSE 1 1/4" EXTENDED	52	D1061	PLUG 3/8" FLUSH HEAD HEX SOCKET	90	GLL20	LABEL DIESEL FUEL ONLY
14	FB641	BOLT 3/8" x 2 1/2" PLD ALLTHREAD	53	UPB05	ADAPTER FITTING-BURST DISC	91	GLL30	MAINTENANCE LABEL 4 x 4 SC,SS
15	HPR60	PUMP RAIL BOLT	54	UPB80	BURST DISC 8000psi TORQUE 32-4	92	HLB09	GROMET NOZZLE HOLDER
16	HPR09	PUMP RAIL ASM SC BERTOLINI 2) 2 X 3 CROSS MEMBERS	55	D1082	PLUG, 1/2 STEEL HEX HEAD FLUSH	93	NQ500	NOZZLE/QDC 05 x 0"
17	PB435	PUMP BERTOLINI 5.5@4300 24MM S	56	DE586	STREET ELL 1/2"F x 3/8"M STEEL	94	NQ502	NOZZLE/QDC 05 x 15
18	D1128	BUSHING 3/4 X 1/2 BRASS	57	VS003	REED SWITCH	95	NQ504	NOZZLE/QDC 05 x 40
19	UPT46	THERM DUMP VALVE 145f 1/2"MPT	58	VS005	FLOW SWITCH 8 @ 4200 ST5	96	MU262	INDICATOR LAMP: KOBOTA
			59	DB506	NIPPLE 3/8 STEEL	97	ESC17	KEY SWITCH HARNESS KUBOTA-17 HP
20	D2089	NIPPLE 3/4 BRASS				98	VG200	TRIGGER GUN INSULATED 4000psi
21	D6120	TEE 3/4 BRASS (NOT PLOTTED)	60	DE066	TEE 3/8" STEEL	99	DQ74T	M22 TWIST COUPLR 1/4" MALE
22	D008M	GARDEN H A 1/2 NPT MALE	61	UP045	PRESSURE RELIEF 4500+15% 500q			
23	D0021	SCREEN WASHER GARDEN H A	62	BZ250	FUEL NOZZLE 2.5 80B	100	DQ74F	TWIST COUPLER 1/4" PLUG FEM-SUT
24	DE866	SWIVEL 3/8"F x 3/8"M 90	63	EWCO8	STRAIN RELIEF 1/2" HEYCO	101	HLB30	GROMET; WAND 1"
25	D5588	ELBOW; STREET; 1/2" BRASS	64	ECC05	RELAY; BURNER; 12V 70 AMP	102	HNZ05	NOZZLE HOLDER (FOR WAND)
26	D8088	HOSE BARB 1/2" BRASS	65	BM514	BURNER MOTOR 12V BECKETT	103	VW045	WAND 1/4" x 48" MOLDED GRIP
27	DH026	HOSE 3/8 x 26.5 4000psi	66	BU013	BURNER; BECKETT 12V W/ SUPPORTED FLANGE	104	DQ04S	COUPLER 1/4" SOCK FEM
28	DC568	STREET ELL 3/8" STEEL	67	D8044	BARB; HOSE; 1/4" BRASS .312t	105	AVGH3	WAND ASSEM 48" MOLDED GRIP W/NOZZLE HOLDER
29	D7061	HEX NUT 3/8" BRASS-REMOTE UNLOADER	68	D2043	NIPPLE 1/4" x 2.5" BRASS	106	DH057	HOSE 3/8 x 50' 4000psi BLK/RED
			69	BF020	FUEL FILTER RACOR HYDRO TEK	107	BMT04	IGNITION TRANF BECKET 12V C.C.
30	DE566	SWIVEL 3/8" STEEL						
31	UU323	UNLOADER 4350SI 8GPM AR	70	D8040	HOSE BARB 1/4" 90 ELBOW		ABMAG	OPERATION PACKET HYDRO PRO
32	D8068	HOSE BARB 1/2"H x 3/8"P BRASS	71	MU155	COOLANT RECOVERY TANK			
33	DA064	BUSHING 3/8 X 1/4 STEEL	72	WT078	FUEL TANK 18 GA DIESEL CLEAR*			
34	VS030	PRESURE SWITCH 4000 1/4" PR16	73	WT080	FUEL CAP; DIESEL			
35	DH034	HOSE 3/8" x 34" 5000psi NO WIP	74	DFF04	FUEL TANK BUSHING 1/4"			
36	DHC80	HOSE; 1/2" LO PRESS BLACK	75	DFE04	FUEL TANK ELL 1/4"			
37	B0029	COIL CAP (FLAT END COIL) NO HOLE	76	FC084	WORMGEAR CLAMP 2 1/2 x 20			
38	BN053	8' SECTION OF INSUL BLKT(BN053) CUT x (5) 17.5 DIA	77	HB100	BATTERY BOX ATTWOOD G24 (LARGE)			
39	BN125	INSULATION DISC RETAINER 17.5 DIA	78	HB026	LARGE BATTERY BOX TRAY			