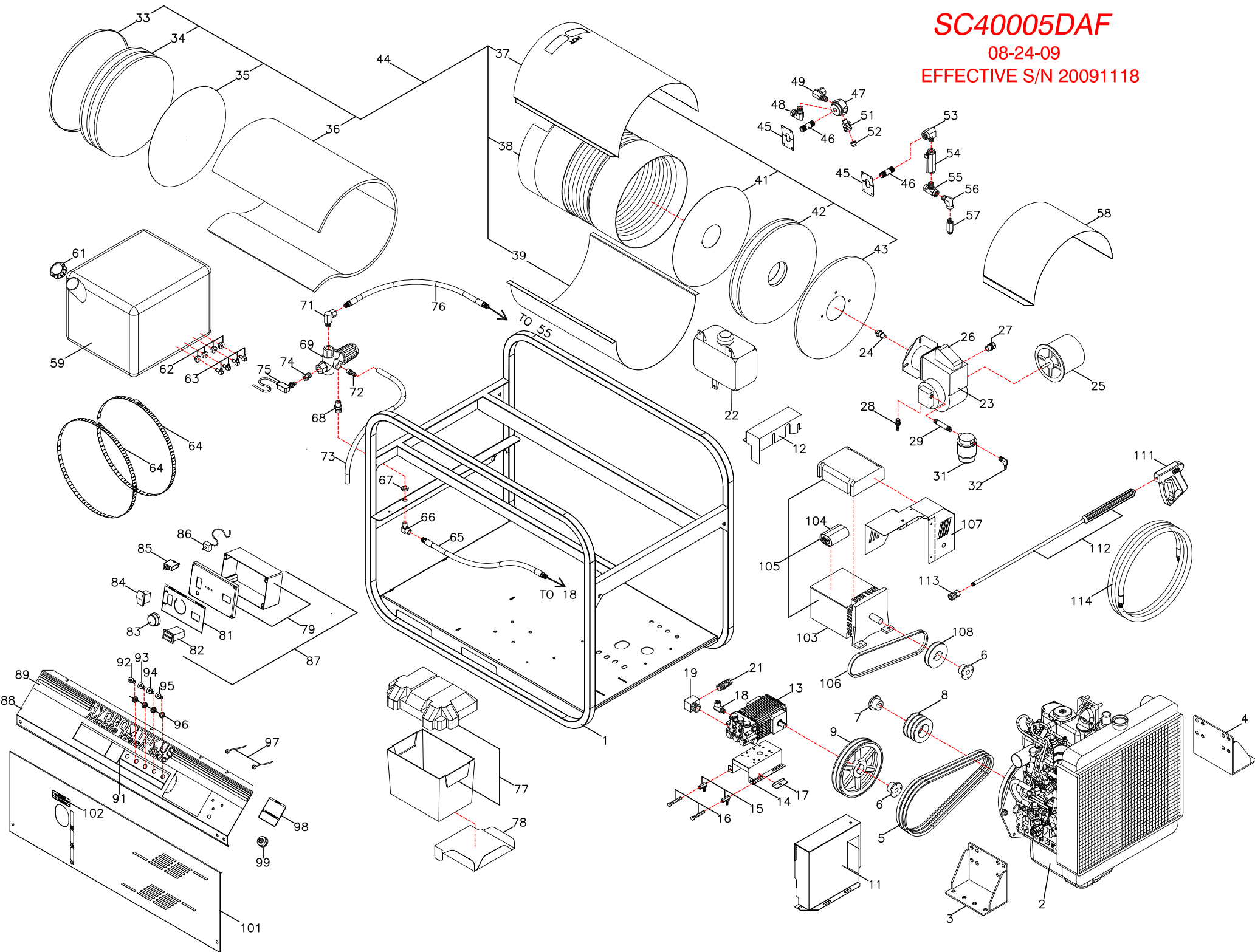


SC40005DAF

08-24-09

EFFECTIVE S/N 20091118



SC SERIES DIESELS PARTS LIST

1	HSC63	SC FRAME DIESEL POWDER COATED	ALL	63	DFE04	FUEL TANK ELL 1/4"	
2	MU168	ENGINE DIESEL 16.8 HP KUBOTA	ALL	64	FC084	WORMGEAR CLAMP 2 1/2 x 20	
3	HS228	ZINC PLATED ENGINE MOUNT LEFT 16.8 HP KUBOTA	ALL	65	DH026	HOSE 3/8" x 26.5" 4000psi NO WIP	ALL
4	HSS29	ZINC PLATED ENGINE MOUNT RIGHT 16.8 HP KUBOTA	ALL	66	DC568	STREET ELL 3/8" STEEL	ALL
5	KSB38	BELT BX38	ALL	67	D7061	HEX NUT 3/8" BRASS-REMOTE UNLOADER	ALL
6	KSH19	BUSHING H24MM	ALL	68	DE566	SWIVEL 3/8" STEEL	ALL
7	KSP18	BUSHING P1 x 1 1/8"	ALL	69	UU323	UNLOADER 4350 PSI 8 GPM	ALL
8	KV060	SHEAVE 4TB38	ALL	70			ALL
9	KV110	SHEAVE 3BK110H	ALL	71	DE866	SWIVEL 3/8"F x 3/8M 90	ALL
10				72	D8068	HOSE BARB 1/2"H x 3/8"P BRASS	
11	HSC73	BELT GUARD SC DIESEL	ALL	73	DHC80	HOSE; 1/2" LO PRESS BLACK	ALL
12	MU235	FLYWHEEL GUARD 17HP KUBOTA	ALL	74	DA064	BUSHING 3/8 x 1/4 STEEL	ALL
13	PH407	PUMP 5.5 @ 4060 & 4.5 @ 4400 DUAL RATED	ALL	75	VS030	PRESURE SWITCH 4000 1/4" PR16	ALL
14	HPR11	PUMP MOUNT RAIL HN30008	ALL	76	DH034	HOSE 3/8" x 34" 4000psi NO WIP	ALL
15	HPR60	PUMP RAIL BOLT	ALL	77	HB100	BATTERY BOX ATTWOOD G24 (LARGE)	ALL
16	FB641	BOLT 3/8" x 2 1/2" PLD ALLTHREAD	ALL	78	HB026	SC DIESEL BATTERY BOX TRAY	ALL
17	HRR07	SUPPORT BRKT- PUMP RAIL	ALL	79	HSC51	LASER CUT SC BOX ASM	ALL
18	DE866	SWIVEL 3/8"F x 3/8"M 90	ALL	80			ALL
19	D5512	STREET ELBOW 3/4 BRASS	ALL	81	GLL57	LABEL; SC/SS PANEL CONTROL BOX**	ALL
20				82	EM601	HOUR METER 110V	
21	D8169	HOSE BARB 1 in.H x 3/4P BRASS	ALL	83	ECH70	KNOB; BLUE .25 x 1.5 O.D	ALL
22	MU155	COOLANT RECOVERY TANK	ALL	84	EC410	ROCKER SWITCH 110V RED SPST	ALL
23	BU600	BURNER; BECKETT SM 110V	ALL	85	ECF10	CIRCUIT BREAKER 15 AMP*	ALL
24	BZ275	FUEL NOZZLE 2.75 90B	ALL	86	ECH55	THERMOSTAT; 60-190F***	ALL
25	BM513	BURNER MOTOR, BECKETT SM 110V	ALL	87	HS027	CONTROL BOX SC3600/4000VAF	ALL
26	BMT23	IGNITION TRANSFORMER, BECKETT 110VAC SM	ALL	88	HSC39	CONTROL PANEL VARIABLE FLOW	ALL
27	EWC08	STRAIN RELIEF 1/2" HEYCO	ALL	89	GLL79	LABEL HYDRO TEK 47.375 x 3" MOBILE WASH SKID	ALL
28	D8044	BARB; HOSE; 1/4" BRASS .3121	ALL	90			ALL
29	D2043	NIPPLE PIPE, BRASS 1/4 x 2.5"	ALL	91	GLL54	LABEL; SC VARIABLE FLOW INSTRUCTION	ALL
30				92	NQ502	NOZZEL/QDC 05 x 15*	
31	BF020	FUEL FILTER RACOR HYDRO TEK	ALL	93	NQ402	NOZZEL/QDC 04 x 15*	ALL
32	D8040	HOSE BARB 1/4" 90 ELBOW	ALL	94	NQ352	NOZZLE/QDC 035 x 15*	ALL
33	B0029	COIL CAP (FLAT END COIL) NO HOLE	ALL	95	NQ253	NOZZLE/QDC 025 x 15*	ALL
34	BN053	8' SECTION OF INSUL BLKT(BN053) CUT x (5) 17.5 DIA	ALL	96	HLB09	GROMET NOZZLE HOLDER	ALL
35	BN125	INSULATION DISC RETAINER 17.5 DIA	ALL	97	MU262	INDICATOR LAMP: KUBOTA	ALL
36		INSUL BLKT50SQ 1/2 x 24 8# 25'	ALL	98	GLL30	MAINTENANCE LABEL 4 x 4 SC,SS	ALL
37	B0089	COIL WRAP (FLAT END COIL) TOP	ALL	99	ESC17	KEY SWITCH HARNESS KUBOTA 17 HP	ALL
38	BC480	COIL 4PK SCH 80	ALL	100			ALL
39	B0088	COIL WRAP (FLAT END COIL) BOTTOM	ALL	101	HS029	SC FUEL PANEL SINGLE HOLE	ALL
40				102	GLL20	LABEL DIESEL FUEL ONLY	
41	BN126	INSUL DISC RETAINER 17.5 DIA W/HOLE	ALL	103	MB020	GENERATOR 2500w LSA321L10	ALL
42	BN053	8' SECTION OF INSUL BLKT(BN053) CUT x (5) 17.5 DIA	ALL	104	MB025	CAPACITOR, GENERATOR 15MFD	ALL
43	B0017	END CAP (FLAT END COIL) 18IN BURNER	ALL	105	MB051	SC DIESEL GENERATOR AND GUARD ASSEMBLY	ALL
44	BC225	COIL ASM 4PK (FLAT END COIL) 5/01	ALL	106	KSA28	BELT 5L280	ALL
45	B2324	COIL NIPPLE RETAINER 1/2in	ALL	107	HS044	GENERATOR BELT GUARD	ALL
46	BC850	BURNER NIPPLE 1/2" x 5' SCH 80	ALL	108	KT040	SHEAVE BK40H	ALL
47	HHA00	HEX MANI OUTLET 1/2" x 1/2" NO REEL	ALL	109			
48	DE866	SWIVEL 3/8FS x 3/8M 90 STEEL	ALL	110			ALL
49	DE869	SWIVEL 3/8FS x 1/2M 90 STEEL	ALL	111	VG200	TRIGGER GUN INSULATED 4000psi	ALL
50			ALL	112	VW045	WAND 1/4" x 48" MOLDED GRIP	
51	UPB05	ADAPTER FITTING-BURST DISC	ALL	113	DQ04S	COUPLER 1/4" SOCK FEM	ALL
52	UPB80	BURST DISC 8000psi TORQUE 32-4	ALL	114	DH057	HOSE 3/8 x 50' 4000 PSI BLK/RED	ALL
53	DE586	STREET ELL 1/2"F x 3/8"M STEEL	ALL				
54	VS005	FLOW SWITCH 8 @ 4200 ST5	ALL				
55	DEB66	BRANCH TEE 3/8 STEEL	ALL				
56	DC568	STREET ELL 3/8" STEEL	ALL		ABMAG	OPERATION PACKET GENERAL PRO	ALL
57	UP045	PRESSURE RELIEF 4500psi	ALL		PHK64	VALVE KIT FOR PH407 AR PUMP (1) REQUIRED	ALL
58	HHP15	BURNER RAIN GUARD HP- 2004	ALL		PHK58	SEAL KIT FOR PH407 AR PUMP (1) REQUIRED	ALL
59	WT078	FUEL TANK 18 GA DIESEL CLEAR*	ALL		PHK61	OIL SEAL KIT FOR PH407 AR PUMP (1) REQUIRED	ALL
60			ALL		PHK69	PLUNGER FOR PH407 AR PUMP (1) REQUIRED	ALL
61	WT080	FUEL CAP; DIESEL	ALL				
62	DFE04	FUEL TANK BUSHING 1/4"	ALL				

08-24-09 EFFECTIVE S/N 200901118