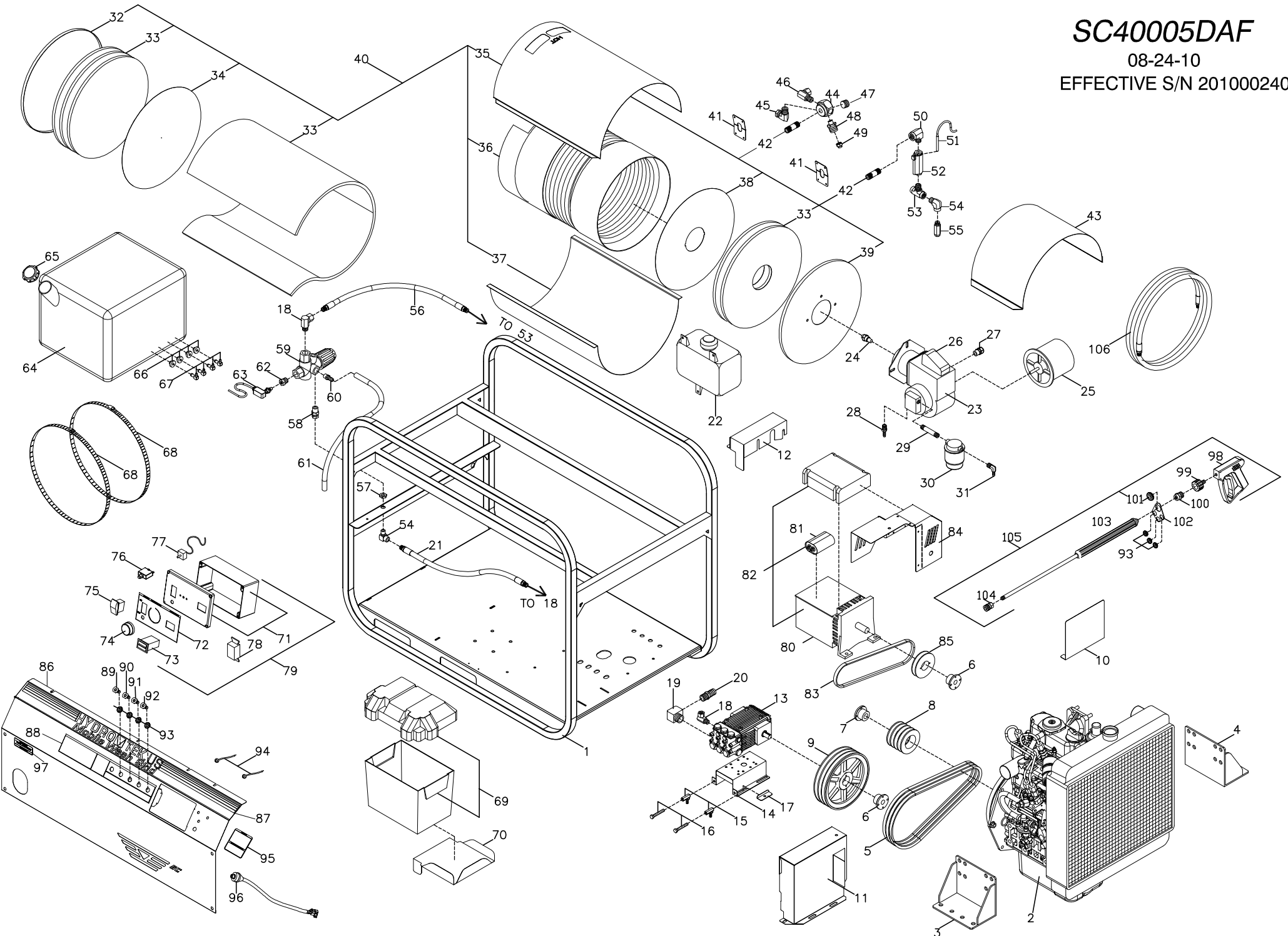


# SC40005DAF

08-24-10

EFFECTIVE S/N 201000240



# SC40005DAF PARTS LIST

S/N201000240

24-Aug-10

1	HSC63	SC FRAME DIESEL POWDER COATED	39	B0017	END CAP (FLAT END COIL) 18IN BURNER	76	ECF10	CIRCUIT BREAKER 15 AMP*
2	MU168	ENGINE DIESEL 16.8 HP KUBOTA	40	BC225	COIL ASM 4PK (FLAT END COIL) 5/01	77	ECH55	THERMOSTAT; 60-190F***
3	HS228	ZINC PLATED ENGINE MOUNT LEFT 16.8 HP KUBOTA				78	EP154	GFCI DUPLEX RECEPTACLE 20 AMP
4	HSS29	ZINC PLATED ENGINE MOUNT RIGHT 16.8 HP KUBOTA	41	B2324	COIL NIPPLE RETAINER 1/2in	79	HS027	CONTROL BOX SC3600/4000VAF
5	KSB38	BELT BX38	42	BC850	BURNER NIPPLE 1/2" x 5' SCH 80	80	MB020	GENERATOR 2500w LSA321L10
6	KSH19	BUSHING H24MM	43	HHP15	BURNER RAIN GUARD HP- 2004			
7	KSP18	BUSHING P1 x 1 1/8"	44	HHA01	HEX MANI OUTLET 1/2" x 1/2" REEL	81	MB025	CAPACITOR, GENERATOR 15MFD
8	KV060	SHEAVE 4TB38	45	DE866	SWIVEL 3/8FS x 3/8M 90 STEEL	82	MB051	SC DIESEL GENERATOR AND GUARD ASSEMBLY
9	KV110	SHEAVE 3BK110H	46	DE869	SWIVEL 3/8FS x 1/2M 90 STEEL	83	KSA28	BELT 5L280
10	MU222	PULLEY GUARD 17HP KUBOTA	47	D1082	PLUG 1/2 STEEL HEX HEAD FLUSH	84	HS044	GENERATOR BELT GUARD
			48	UPB05	ADAPTER FITTING-BURST DISC	85	KT040	SHEAVE BK40H
11	HSC73	BELT GUARD SC DIESEL	49	UPB80	BURST DISC 8000psi TORQUE 32-4	86	HSC24	CONTROL PANEL SC-DIESEL KEY
12	MU235	FLYWHEEL GUARD 17HP KUBOTA	50	DE586	STREET ELL 1/2"F x 3/8"M STEEL			SWITCH/CHOKE/LIGHT HOLES
13	PH407	PUMP 5.5 @ 4060 & 4.5 @ 4400 DUAL RATED				87	GLL79	LABEL HYDRO TEK 47.375 x 3" MOBILE WASH SKID
14	HPR11	PUMP MOUNT RAIL HN30008	51	VS003	REED SWITCH	88	GLL54	LABEL; SC VARIABLE FLOW INSTRUCTION
15	HPR60	PUMP RAIL BOLT	52	VS005	FLOW SWITCH 8 @ 4200 ST5	89	NQ502	NOZZEL/QDC 05 x 15*
16	FB641	BOLT 3/8" x 2 1/2" PLD ALLTHREAD	53	DEB66	BRANCH TEE 3/8 STEEL	90	NQ402	NOZZEL/QDC 04 x 15*
17	HRR07	SUPPORT BRKT- PUMP RAIL	54	DC568	STREET ELL 3/8" STEEL			
18	DE866	SWIVEL 3/8"F x 3/8"M 90	55	UP045	PRESSURE RELIEF 4500psi	91	NQ352	NOZZLE/QDC 035 x 15*
19	D5512	STREET ELBOW 3/4 BRASS	56	DH034	HOSE 3/8" x 34" 4000psi NO WIP	92	NQ253	NOZZLE/QDC 025 x 25*
20	D8169	HOSE BARB 1 in.H x 3/4P BRASS	57	D7061	HEX NUT 3/8" BRASS-REMOTE UNLOADER	93	HLB09	GROMET NOZZLE HOLDER
			58	DE566	SWIVEL 3/8" STEEL	94	MU262	INDICATOR LAMP: KUBOTA
21	DH026	HOSE 3/8" x 26.5" 4000psi NO WIP	59	UU323	UNLOADER 4350 PSI 8 GPM	95	GLL30	MAINTENANCE LABEL 4 x 4 SC,SS
22	MU155	COOLANT RECOVERY TANK	60	D8068	HOSE BARB 1/2"H x 3/8"P BRASS	96	ESC17	KEY SWITCH HARNESS KUBOTA 17 HP
23	BU600	BURNER; BECKETT SM 110V				97	GLL20	LABEL DIESEL FUEL ONLY
24	BZ275	FUEL NOZZLE 2.75 90B	61	DHC80	HOSE; 1/2" LO PRESS BLACK	98	VG200	TRIGGER GUN INSULATED 4000psi
25	BM513	BURNER MOTOR, BECKETT SM 110V	62	DA064	BUSHING 3/8 x 1/4 STEEL	99	DQ74T	M22 TWIST COUPLER 1/4" MALE
26	BMT23	IGNITION TRANSFORMER, BECKETT 110VAC SM	63	VS030	PRESURE SWITCH 4000 1/4" PR16	100	DQ74F	TWIST COUPLER 1/4 PLUG FEM
27	EWC08	STRAIN RELIEF 1/2" HEYCO	64	WT078	FUEL TANK 18 GA DIESEL CLEAR*			
28	D8044	BARB; HOSE; 1/4" BRASS .312t	65	WT080	FUEL CAP, DIESEL	101	HLB30	GROMMET; WAND IN
29	D2043	NIPPLE PIPE, BRASS 1/4 x 2.5"	66	DFF04	FUEL TANK BUSHING 1/4	102	HNZ05	NOZZLE HOLDER (FOR WAND)
30	BF020	FUEL FILTER RACOR HYDRO TEK	67	DFE04	FUEL TANK ELL 1/4"	103	VW045	WAND 1/4" x 48" MOLDED GRIP
			68	FC084	WORMGEAR CLAMP 2 1/2 x 20	104	DQ04S	COUPLER 1/4" SOCK FEM
31	D8040	HOSE BARB 1/4" 90 ELBOW	69	HB100	BATTERY BOX ATTWOOD G24 (LARGE)	105	AVGH3	WAND 48" w/GUN and NOZZLE HOLDER
32	B0029	COIL CAP (FLAT END COIL) NO HOLE	70	HB026	SC DIESEL BATTERY BOX TRAY	106	DH057	HOSE 3/8 x 50' 4000 PSI BLK/RED
33	BN053	8' SECTION OF INSUL BLKT(BN053) CUT x (5) 17.5 DIA				<b>NOT SHOWN</b>		
34	BN125	INSULATION DISC RETAINER 17.5 DIA	71	HSC51	LASER CUT SC BOX ASM		ABMAG	OPERATION PACKET GENERAL PRO
35	B0089	COIL WRAP (FLAT END COIL) TOP	72	GLL57	LABEL; SC/SS PANEL CONTROL BOX**		PHK64	VALVE KIT FOR PH407 AR PUMP (1) REQUIRED
36	BC480	COIL 4PK SCH 80	73	EM601	HOUR METER 110V		PHK58	SEAL KIT FOR PH407 AR PUMP (1) REQUIRED
37	B0088	COIL WRAP (FLAT END COIL) BOTTOM	74	ECH70	KNOB; BLUE .25 x 1.5 O.D		PHK61	OIL SEAL KIT FOR PH407 AR PUMP (1) REQUIRED
38	BN126	INSUL DISC RETAINER 17.5 DIA W/HOLE	75	EC410	ROCKER SWITCH 110V RED SPST		PHK69	PLUNGER FOR PH407 AR PUMP (1) REQUIRED