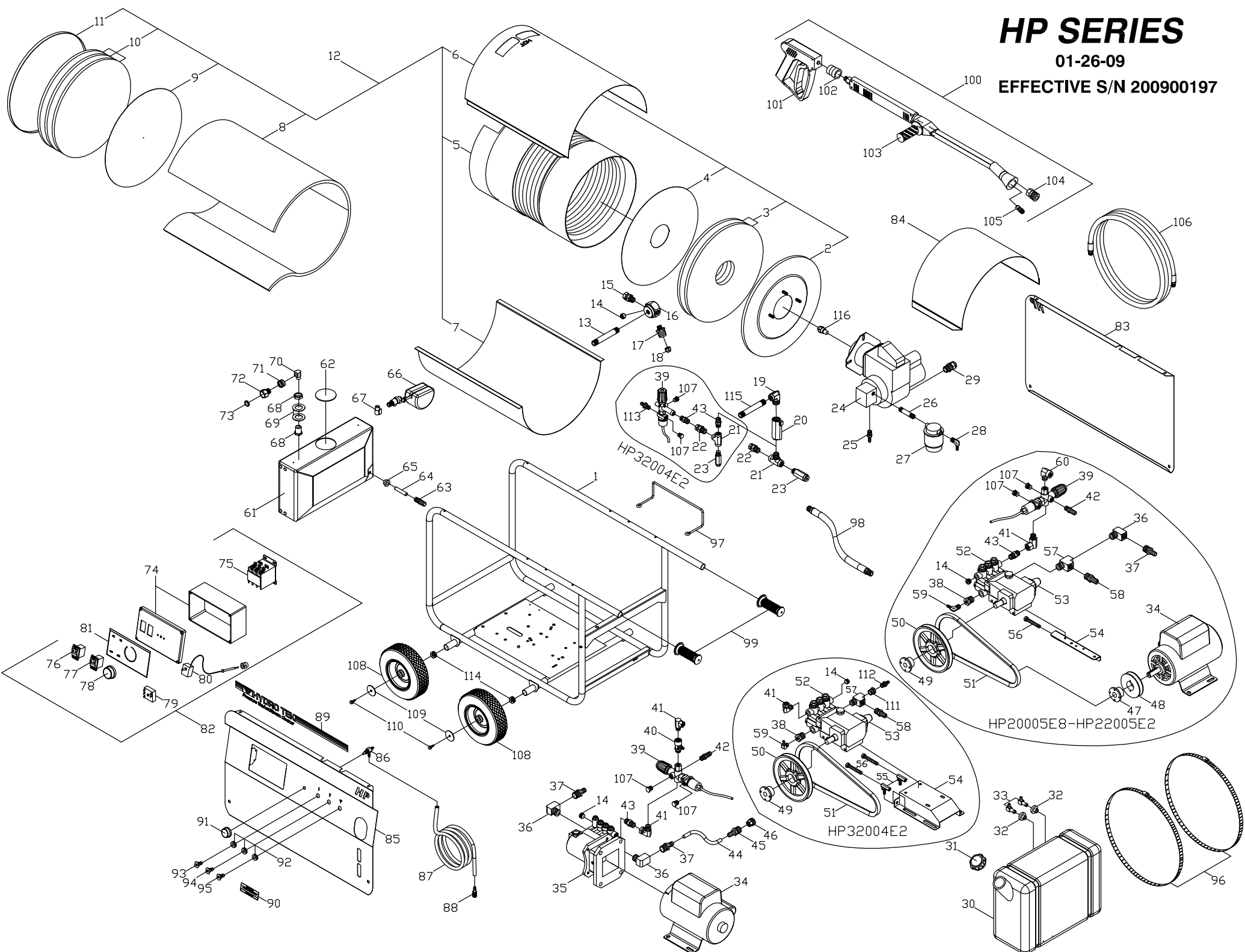


HP SERIES

01-26-09

EFFECTIVE S/N 200900197



HP SERIES PARTS LIST

1	HHP14	FRAME HP TUBING AXLE 2007	ALL
2	B0017	END CAP (FLATEND COIL) 18" BU W/HOLE	ALL
3	BN053	INSUL BLKT 50SQ' 1/2"x 24" 8# 25'	ALL
4	BN126	INSUL DISC RETAINER 17.5" DIA W/HOLE	ALL
5	BC480	COIL, 4 PK SCH 80	ALL
6	B0089	COIL WRAP (FLAT END COIL) TOP	ALL
7	B0088	COIL WRAP (FLAT END COIL) BOTTOM	ALL
8	BN053	INSUL BLKT 50SQ' 1/2"x 24" 8# 25'	ALL
9	BN125	INSUL DISC RETAINER 17.5" DIA	ALL
10	BN053	INSUL BLKT 50SQ' 1/2"x 24" 8# 25'	ALL
11	B0029	COIL CAP (FLAT END COIL) NO HOLE	ALL
12	BC225	COIL ASM 4PK (FLAT END COIL) 5/01	ALL
13	BC850	BURNER NIPPLE; 1/2" x 5" SCH80	ALL
14	D1061	PLUG 3/8" FLUSH HEAD HEX SOCKET	ALL
15	DE568	SWIVEL 3/8"F x 1/2"M STEEL	ALL
16	HHA00	HEX MANI OUTLET1/2" x 1/2" NO REEL	ALL
17	UPB05	ADAPTER FITTING-BURST DISC***	ALL
18	UPB80	BURST DISC 8000PSI TORQUE 32-4	ALL
19	DE586	STREET ELL 1/2"F x 3/8"M STEEL	ALL
20	VS005	FLOW SWITCH 8 @ 4200 ST5	ALL
21	DEB66	BRANCH TEE 3/8" STEEL	HP21004E2,HP28004E2,HP20005E8,HP22005E2
	DE066	TEE 3/8 STEEL	HP32004E2
22	DE566	SWIVEL 3/8" STEEL	ALL
23	UP128	PRESSURE RELIEF 2800psi BLUE	HP20005E8,HP21004E2,HP22005E2
	UP137	PRESSURE RELIEF 3700psi BLACK	HP28004E2,HP32004E2
24	BU602	BURNER; BECKET SM 230V	ALL
25	D8044	BARB; HOSE 1/4" BRASS* 3/2 t	ALL
26	D2043	NIPPLE PIPE, BRASS 1/4" x 2 1/2"	ALL
27	BF020	FUEL FILTER; RAYCOR HYDRO TEK	ALL
28	D8040	HOSE BARB 1/4" 90 ELBOW	ALL
29	EWC08	STRAIN RELIEF 1/2" HEYCO (3/8)	ALL
30	WT075	FUEL TANK 7.5 DIESEL CLEAR*	ALL
31	WT080	FUEL CAP; DIESEL	ALL
32	DFF04	FUEL TANK BUSHING 1/4"	ALL
33	DFF04	FUEL TANK ELL 1/4"	ALL
34	ME504	MOTOR 5 HP 208/230v 1ph 3450rpm	HP21004E2
	ME606	MOTOR 6.5 HP 230 1 PH MT 3	HP20005E8,HP22005E2,HP28004E2
	ME752	MOTOR 7.5hp 1ph MARATHON 1735 RPM	HP32004E2
35	P3530	PUMP 3SP35GE 3.4@3000 3/4" ELEC	HP21004E2,HP28004E2
36	D5588	ELBOW; STREET; 1/2"; BRASS*	HP21004E2,HP28004E2,HP20005E8,HP22005E2
37	D8088	HOSE BARB 1/2" BRASS*	HP21004E2,HP28004E2,HP20005E8,HP22005E2
38	D1084	BUSHING 1/2 x 1/4 BRASS	HP20005E8,HP22005E2,HP32004E2
39	UU261	UNLOADER W/SWITCH	ALL
40	VC556	CHEMICAL INJ NO ADJUST	HP21004E2,HP28004E2
41	DE866	SWIVEL 3/8"F x 3/8"M 90	ALL
42	D8084	HOSE BARB 1/2"H x 1/4" BRASS	HP21004E2,HP28004E2,HP20005E8,HP22005E2
43	DB506	NIPPLE 3/8" STEEL	ALL
44	DHC80	HOSE; 1/2" LO PRESSURE BLACK	HP21004E2,HP28004E2,HP20005E8,HP22005E2
	DHP06	HOSE; 3/8in PUSH LOCK	HP32004E2
45	D8088	HOSE BARB 1/2" BRASS*	HP21004E2,HP28004E2
46	D008F	GARDEN H A 1/2" NPT FEM	HP21004E2,HP28004E2
47	KSH12	BUSHING H 3/4"	HP20005E8, HP22005E2
	KSH20	BUSHING H x 1 3/8 5/16	HP32004E2
48	KT040	SHEAVE BK40H	HP20005E8,HP22005E2
	KU045	SHEAVE 2BK45H	HP32004E2
49	KSH15	BUSHING HX 16.5mm	HP20005E8,HP22005E2
	KSH17	BUSHING H20mm	HP32004E2
50	KT080	SHEAVE BK80H	HP20005E8,HP22005E2
	KU057	SHEAVE 2BK57H	HP32004E2
51	KSB32	BELT BX32	HP20005E8,HP22005E2
	KSB34	BELT BX34	HP32004E2
52	P4022	PUMP 3CP1120 4 @ 2200 SHAFT 16	HP20005E8,HP22005E2
	P4535	PUMP 5CP3120 4.5 @ 3500 20mm SHAFT	HP32004E2
53	PP692	SHAFT PROTECTOR 5 FRAME BD PMP	HP20005E8,HP22005E2,HP32004E2
54	HPR55	ADJUSTMENT BRKT-PUMP (2003 HN)	HP20005E8,HP22005E2
	HHP17	PUMP RAIL HP 14GA STAINLESS	HP32004E2
	HPR60	PUMP RAIL BOLT	HP32004E2
56	FB641	BOLT 3/8" x 2 1/2" PLD ALLTHREAD	HP20005E8,HP22005E2,HP32004E2
57	D6588	STREET TEE 1/2" BRASS*	HP20005E8,HP22005E2,HP32004E2
58	D8076	HOSE BARB 5/8"H x 1/2"M .339id PNK	HP20005E8,HP22005E2
	D8072	HOSE BARB 5/8"H x 1/2M .281id BLUE	HP32004E2
59	D8040	HOSE BARB 1/4" 90 ELBOW	HP2005E8,HP22005E2,HP32004E2
60	DC568	STREET ELL 3/8" STEEL	HP20005E8,HP22005E2
61	WT040	TANK; FLOAT 4 GA HD LINEAR	ALL
62	HL017	TANK CAP 4" W/HOLE	ALL

01-26-09 EFFECTIVE S/N 200900197

63	D1010	SPLICER 5/8 BRASS	HP20005E8,HP22005E2,HP32004E2
64	VF050	STRAINER TUBE FOR FLOAT TANK	HP20005E8,HP22005E2,HP32004E2
65	DFF10	WATER TANK BUSHING 5/8"	HP20005E8,HP22005E2,HP32004E2
66	VVF08	FLOAT VALVE 3/8" BRASS	HP20005E8,HP22005E2,HP32004E2
67	D5566	STREET ELL 3/8" BRASS*	HP20005E8,HP22005E2,HP32004E2
68	D7520	PANEL FITTING 3/4" BRASS	HP20005E8,HP22005E2,HP32004E2
69	FW701	FLOAT TANK WASHER 1.75od 14GA SS	HP20005E8,HP22005E2,HP32004E2
70	D5566	STREET ELL 3/8" BRASS*	HP20005E8,HP22005E2,HP32004E2
71	D0010	SPRING GARDEN H A	HP20005E8,HP22005E2,HP32004E2
72	D006M	GARDEN H A 3/8" NPT MALE	HP20005E8,HP22005E2,HP32004E2
73	D0021	SCREEN WASHER GARDEN H A	HP20005E8,HP22005E2,HP32004E2
74	HH052	ELECTRICAL BOX HD LASER CUT	HP21004E2, HP28004E2,HP20005E8,HP22005E2
	HHP32	ELECT BOX HP LASER CUT 2 PIECE	HP32004E2
75	ECC21	CONTACTOR 40AMP 240V 3POLE DEF	HP21004E2, HP28004E2,HP20005E8,HP22005E2
	EA100	STARTER 230V 3 POLE 9-45 AMPS	HP32004E2
76	EC421	ROCKER SWITCH 230V CLEAR SPST	ALL
77	EC420	ROCKER SWITCH 230V RED DPST	ALL
78	ECH70	KNOB; BLUE .25" id x 1.5" od	ALL
79	ECD20	TIME DELAY 60 SEC 220V	ALL
80	ECH50	THERMOSTAT; 60-250 1 GP PART=25	ALL
81	GLL82	LABEL CON BOX HD 5mil 3.5 x	ALL
82	EHP23	PUMP BOX ASSM-HP21004E2	HP21004E2
	EHP22	PUMP BOX ASSM-HP22005E2 TMB	HP20005E8,HP22005E2
	EHP24	PUMP BOX ASSM-HP28004E2 TMB	HP28004E2
	EHP32	PUMP BOX ASSM-HP32004E2	HP32004E2
83	HHP19	REAR PANEL HP 2004	ALL
84	HHP15	BURNER RAIN GUARD-HP 2004	ALL
85	HHP18	CONTROL PANEL HP 2004	ALL
86	VVC10	CHEMICAL MET VALVE MV-100 MOD	ALL
87	DHB04	TUBING; CLEAR BRAIDED; 1/4"	ALL
88	VF045	STRAINER CHEMICAL W/CHECK	ALL
89	GLL75	LABEL HYDRO TEK 34 x 2 3/4***	ALL
90	GLL20	LABEL DIESEL FUEL ONLY	ALL
91	ECH70	KNOB; BLUE .25" id x 1.5" od	ALL
92	HLB09	GROMET NOZZLE HOLDER***	ALL
93	NQ550	NOZZLE/QDC 055 x 0	HP20005E8,HP22005E2
	NQ450	NOZZLE/QDC 045 x 0	HP21004E2
	NQ400	NOZZLE/QDC 04 x 0	HP28004E2,HP32004E2
	NQ552	NOZZLE/QDC 055 x 15	HP20005E8,HP22005E2
94	NQ452	NOZZLE/QDC 045 x 15	HP21004E2
	NQ402	NOZZLE/QDC 04 x 15	HP28004E2,HP32004E2
95	NQ453	NOZZLE/QDC 045 x 25	HP20005E8,HP22005E2
	NQ353	NOZZLE/QDC 035 x 25	HP21004E2,HP32004E2
	NQ303	NOZZLE/QDC 03 x 25	HP28004E2
96	FC074	WORM GEAR CLAMP 2 1/2" x 13 1/4"	ALL
97	HHP29	WIRE HOSE HOOK-ZINC PLATED	ALL
98	DH002	HOSE 3/8" x 14" 4000PSI	HP20005E8,HP21004E2,HP22005E2,HP28004E2
	DH032	HOSE 3/8 x 30" 4000psi NO WIP	HP32004E2
99	HL010	HAND GRIP 1" MX*	ALL
100	AVWA3	ULTRA GUN/WAND 48" ADJ PSI	ALL
101	VG200	TRIGGER GUN, INSULATED 4000 PSI	ALL
102	ECH75	HEAVEY DUTY BEND RESTRICTOR	ALL
103	VVD42	DUAL WAND, SS VENTED	ALL
104	DQ04S	COUPLER 1/4" SOCK FEM	ALL
105	NN982	NOZZLE 30 x 15 BRASS	ALL
106	DH050	HOSE 3/8" x 50' 3000 PSI	HP20005E8,HP21004E2,HP22005E2,HP28004E2
	DH057	HOSE 3/8 x 50' 4000psi BLK/RED	HP32004E2
107	D1040	PLUG 1/4"	ALL
108	HT126	WHEEL & TIRE TURF 13"	ALL
109	FWS07	WASHER 1/4" x 1 1/2" OD STAINLESS	ALL
110	FB410	BOLT 1/4 x 3/4 PHIL HD SS	ALL
111	D1086	BUSHING 1/2 x 3/8 BRASS	HP32004E2
112	D6062	HOSE BARB, PUSH LOCK 3/8H x 3/8P	HP32004E2
113	D6064	HOSE BARB, PUSH LOCK 3/8H x 1/4P	HP32004E2
114	FCN04	TUBE CONNECTORS, 1 x 1/4-20	ALL
115	BC850	BURNER NIPPLE; 1/2" x 5" SCH80	HP21004E2,HP28004E2,HP20005E8,HP22005E2
	BC865	BURNER NIPPLE; 1/2 x 6.5 SCH80	HP32004E2
116	BZ225	FUEL NOZZLE 2.25 80B	HP20005E8,HP21004E2,HP22005E2,HP28004E2
	BZ255	FUEL NOZZLE 2.50 80A	HP32004E2
	ABMAN	OPERATION PACKET ULTIMATE LINE	ALL
	31647	VALVE KIT FOR P3530 CAT PUMP	HP21004E2,HP28004E2
	31644	SEAL KIT FOR P3530 CAT PUMP	HP21004E2,HP28004E2
	PP899	VALVE KIT FOR P4022 CAT PUMP 3CP1120	HP20005E8,HP22005E2
	PP983	SEAL KIT FOR P4022 CAT PUMP 3CP1120	HP20005E8,HP22005E2
	PP895	VALVE KIT FOR P4535 CAT PUMP 5CP3120	HP32004E2
	PP629	SEAL KIT FOR P4535 CAT PUMP 5CP3120	HP32004E2