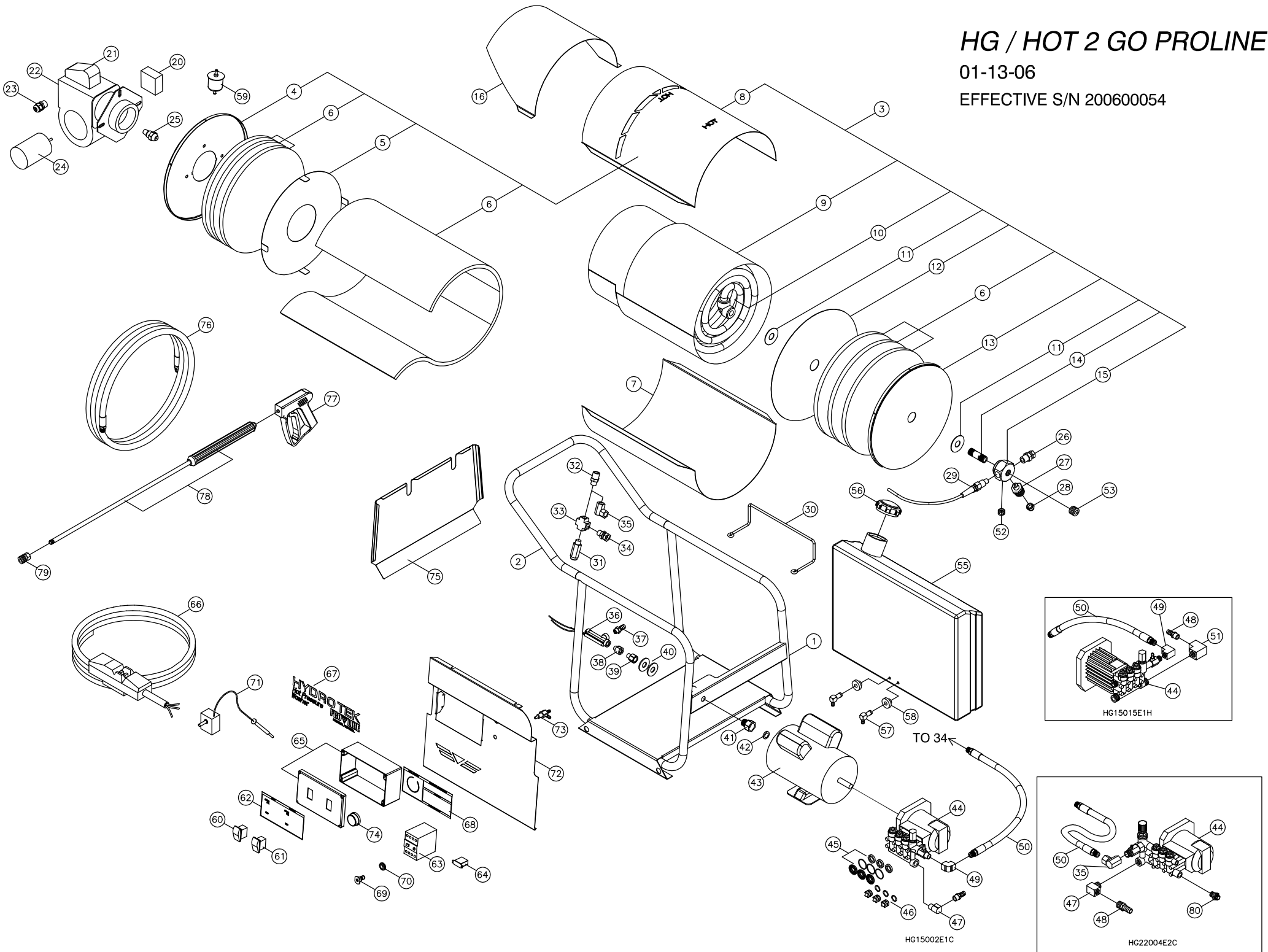


HG / HOT 2 GO PROLINE

01-13-06

EFFECTIVE S/N 200600054



HG/HOT 2 GO PROLINE PARTS LIST

1	HHG06	FRAME HG STAINLESS LESS AXLES	ALL
2	HHG05	HANDLE SSTEEL HG FRAME	ALL
3	BC221	COIL ASM 1PK SCH 80 HG SERIES	HG15002E1C,HG22004E2C
	BC226	COIL 1 PANCAKE 14.00 80 SINGLE PASS	HG15015E1H
4	B0004	HG COIL HEAD 4IN ID X 14IN ASM	ALL
5	BN105	DISC RETAINER 12.25" OD W/4.375 HOLE	ALL
6	BN053	INSUL BLKT 5OSQ'1/2X24 8# 25'	ALL
7	B0098	COIL WRAP HG BOTTOM	ALL
8	B0097	COIL WRAP HG TOP	HG15002E1C,HG22004E2C
	B0094	COIL WRAP-TOP- HG15015E1H	HG15015E1H
9	BC224	COIL REPLACEMENT - HD,HG,SM,CPL,HJ SERIES	HG15002E1C,HG22004E2C
	B0093	INNER WRAP HG15015E1H	HG15015E1H
10	BC140	COIL, HOT 2 GO 1PK SCH 80	HG15015E1H
11	FW225	WASHER 2.25. IN OD 16 GA STAINLESS STEEL	ALL
12	BN127	DISC RETAINER 13.20" OD W/1.30" HOLE	ALL
13	B0003	HG COIL CAP 1 3/8IN ID X 14IN	ALL
14	BC825	BURNER NIPPLE 1/2 x 2.5 SCH 80 BLK PIPE	ALL
15	HHA01	HEX MANIFOLD OUTLET 1/2 X 1/2 X REEL	ALL
16	HHG57	HG/HPG BURNER RAIN GUARD	ALL
20	BPA10	FUEL PUMP MOD A2VA-7116	ALL
21	BMT15	IGNITION TRANSFORMER, 115v BECKETT	HG15002E1C,HG15015E1H
	BMT25	IGNITION TRANSFORMER-IRON CORE-240v-BECKETT	HG22004E2C
22	BU605	BURNER, BECKETT 115V HG	HG15002E1C,HG15015E1H
	BU602	BURNER, BECKETT AFG 230v	HG22004E2C
23	EWCO8	STRAIN RELIEF 1/2 HEYCO (3/8)	ALL
24	BM556	BURNER MOTOR 115v BECKETT H2G	HG15002E1C,HG15015E1H
	BM562	BURNER MOTOR 220V BECKETT	HG22004E2C
25	BZ100	FUEL NOZZLE 1.0 70 B	HG15002E1C
	BZ175	FUEL NOZZLE 1.75 80B	HG22004E2C
	BZ101	FUEL NOZZLE 1.0 90 W	HG15015E1H
26	DE568	SWIVEL 3/8F X 1/2M STEEL	ALL
27	UPB05	ADAPTER FITTING-BURST DISC	ALL
28	UPB80	BURST DISC 8000 PSI TORQUE 32-4	ALL
29	ECH45	HEAT SWITCH 245F WITH 48 IN PIGTAIL	HG15002E1C,HG15015E1H
30	HHP29	WIRE HOSE HOOK - ZINC PLATED	ALL
31	UP120	PRESSURE RELIEF 2000psi orange	HG15002E1C,HG15015E1H
	UP128	PRESSURE RELIEF 2800 psi blue	HG22004E2C
32	DB507	NIPPLE 3/8 X 1/2 STEEL	HG15002E1C, HG22004E2C
33	D6766	CROSS 3/8 BRASS	HG15002E1C
	D6066	TEE 3/8" BRASS	HG22004E2C
34	DE566	SWIVEL 3/8 STEEL	HG15002E1C
35	DE766	SWIVEL 3/8F X 90 STEEL (forged)	HG22004E2C
36	VS052	FLOW SWITCH LOW P 1/4IN 90DEG ANGLE BODY MODIFY SPRING-REMOVE 1/4" MODIFY PLUNGER STOP	HG15002E1C HG15015E1H HG22004E2C
37	VS053	ADAPTER, HOSE BARB, 1/2"	HG15002E1C, HG22004E2C
38	VS051	1/4in ADPTR FOR LOW PRESS FLOW	HG15002E1C, HG22004E2C
39	D4164	ADAPTER 3/8f X 1/4m BRASS	HG15002E1C, HG22004E2C
40	FWC17	WASHER 11/16 ID PLD SAE	HG15002E1C, HG22004E2C
41	D006M	GARDEN H A 3/8 NPT MALE	ALL
42	D0021	SCREEN WASHER GARDEN H A	ALL
43	ME205	MOTOR 2.0 HP 3450 C-FACE (MAGNETEK)	HG15002E1C
	ME504	MOTOR 5hp 208/230v 1ph 3450rpm C-FACE	HG22004E2C
	ME202	MOTOR 1.5hp 120v 1ph 1725rpm C-FACE MAGN	HG15015E1H
44	P1502	PUMP CAT 2DX 2@1500	HG15002E1C
	P3530	PUMP 3SP35GE 3.4@3000 3/4 ELEC	HG30004E2C,HG22004E2C
	PH320	PUMP 3 @ 2000 SHAFT 5/8 ELECT	HG15015E1H

01-13-06 EFFECTIVE S/N 200600054

45	PP305	SEAL KIT CATR 2DX PUMP	HG15002E1C
	31644	SEAL KIT CAT 3SP PUMP	HG22004E2C
	PHK53	SEAL KIT XJV PUMP	HG15015E1H
46	PP330	VALVE KIT, CAT 2DX PUMP	HG15002E1C
	KIT 2869	VALVE KIT, XJV3G PUMP	HG15015E1H
	31647	VALVE KIT, 3SP PUMP	HG22004E2C
47	D5566	STREET ELL 3/8 BRASS	HG15002E1C, HG22004E2C
48	D8068	HOSE BARB 1/2H X 3/8 BRASS	HG15002E1C, HG22004E2C
	D8088	HOSE BARB 1/2 BRASS	HG15015E1H
49	D5066	ELL 3/8 BRASS	HG15002E1C
50	DH026	HOSE 3/8 X 26.5 5000 PSI	HG15002E1C
	DH200	HOSE 3/8 X 20" 4000 PSI	HG15015E1H
	DH003	HOSE 3/8 X 18 5000 PSI	HG22004E2C
51	D5088	ELL 1/2 BRASS	HG15015E1H
52	D1061	PLUG 3/8" STEEL HEX HEAD FLUSH	ALL
53	D1082	PLUG 1/2" STEEL HEX HEAD FLUSH	ALL
55	WT037	FUEL TANK 4G DIESEL BLACK	ALL
56	WT080	FUEL CAP, DIESEL	ALL
57	DF04	FUEL TANK BUSHING 1/4	ALL
58	DFE04	FUEL TANK ELL 1/4	ALL
59	BF015	FUEL FILTER, INLINE	ALL
60	EC411	ROCKER SWITCH 110V CLEAR SPST	HG15002E1C,HG15015E1H
	EC421	ROCKER SWITCH 230V CLEAR SPST	HG22004E2C
61	EC410	ROCKER SWITCH 110V RED SPST	HG15002E1C,HG15015E1H
	EC420	ROCKER SWITCH 230V RED DPST	HG22004E2C
62	GLL77	LABEL HG CONT BOX / OPERATION	HG15002E1C,HG15015E1H
	GLL82	LABEL con box HD 5 mil	HG22004E2C
63	ECC12	CONTACTOR 30 AMP 115VAC (HG)	HG15002E1C,HG15015E1H
	ECC21	CONTACTOR 30amp 240v 3pole DEFINITE PURP	HG22004E2C
64	ECC01	RELAY AC120V 50/60HZ SPST	HG15002E1C,HG15015E1H
	ECC02	RELAY AC 240V 50/60HZ SPST	HG22004E2C
65	EHG21	HG CON BOX ASSEM 115V AUTO OFF	HG15002E1C
	EHG20	HG15015E1H AUTO OFF 15 AMP	HG15015E1H
	EHG22	HG CON BOX ASSEM. 230V AUTO OFF	HG22004E2C
66	EP120	GFI PLUG/CORD 115V 20 AMP	HG15002E1C
	EP115	GFI PLUG/CORD 115V 15 AMP	HG15015E1H
	EP125	GFI CORD 240V 30AMP	HG22004E2C
67	GLL76	LABLE HOT2GO HYDROTEK HG PRO	ALL
68	GLL77	LABLE HG CONT BOX / OPERATION	ALL
69	NQ253	NOZZLE/QDC 025 X 25	HG15015E1H
	NQ302	NOZZLE/QDC 03 X 15	HG15002E1C
	NQ452	NOZZLE/QDC 045 X 15	HG22004E2C
	NQ970	NOZZLE/QDC 40.0 X 65	ALL
70	HLB09	GROMET NOZZLE HOLDER	ALL
71	ECH50	THERMOSTAT; 60-250	HG22004E2C
72	HHG51	CONTROL PNL-HG EXTENDED	ALL
73	VVC10	CHEMICAL MET VALVE MV-100 MOD.	ALL
74	ECH72	KNOB, RED .25 X 1.5OD	ALL
75	HHG48	MOTOR END PANEL	ALL
76	DH050	HOSE 3/8 X 50" 3000 PSI	ALL
77	VG200	TRIGGER GUN,INSULATED 4000PSI	ALL
78	VW036	WAND 1/4 X 36, MOLDED GRIP	ALL
79	DQ04S	COUPLER 1/4 SOCK FEM	ALL
80	UPT45	THERMAL DUMP VALVE	HG22004E2C