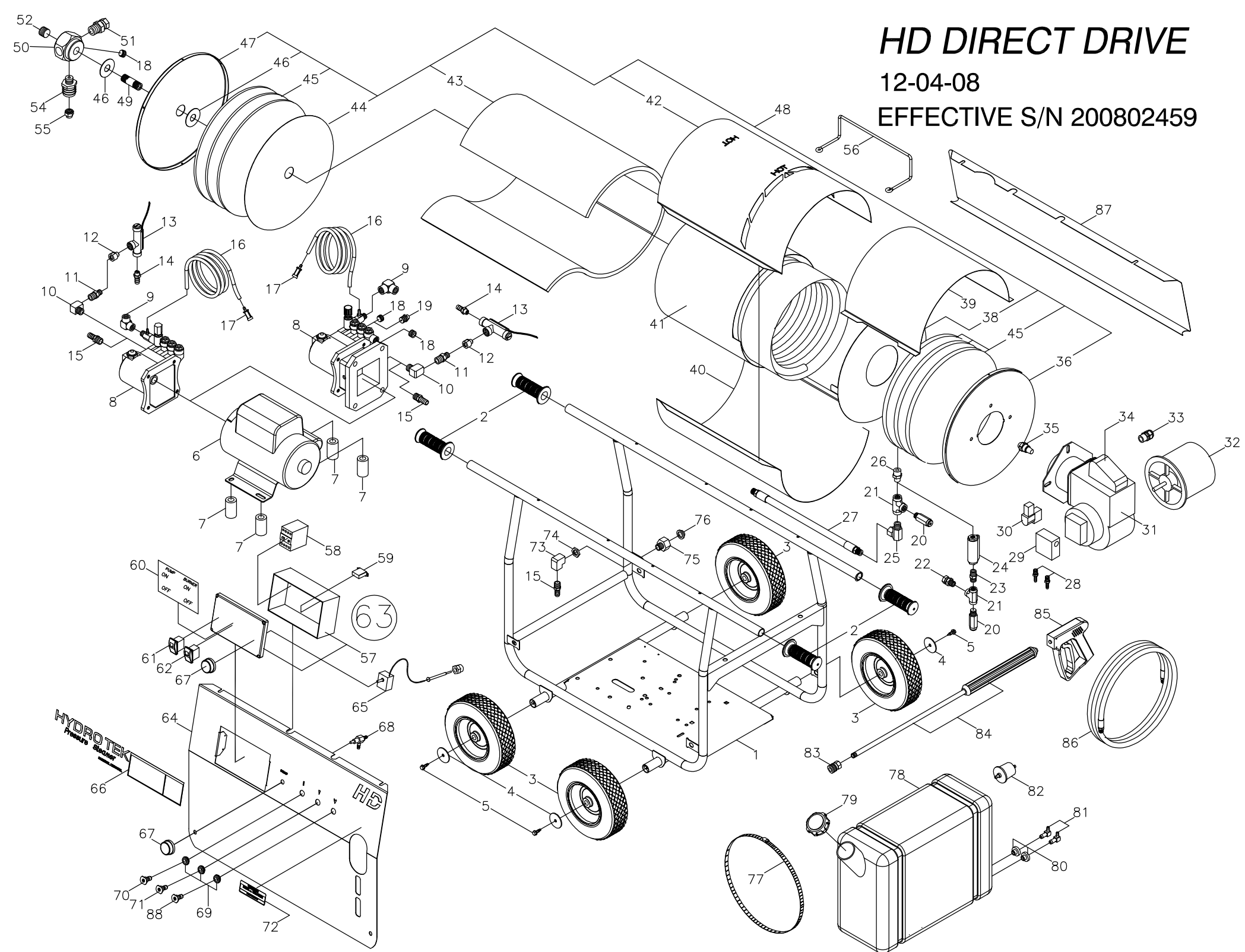


HD DIRECT DRIVE

12-04-08

EFFECTIVE S/N 200802459



HD DIRECT DRIVE PARTS LIST

1	HH000	HD FRAME STAINLESS	ALL
2	HL010	HAND GRIP 1in MX	ALL
3	HT105	TIRE & WHEEL 4 x 10 1" BORE	ALL
4	FWS07	WASHER 1/4" x 1 1/2"od STAINLESS	ALL
5	FB425	TEK SCREW 1/4" x 1 1/2" ZINC PLATED	ALL
6	ME205	MOTOR 2hp 3450 C-FACE-5/8	HD15002E1C,HD15002E1M
	ME504	MOTOR 5hp 208/230v 1ph 3450rpm	HD22004E2C,HD22004E2M
	ME606	MOTOR 6.5hp 230v 1ph 3450 MT 3	HD30004E2M
7	HSS20	FLOAT TANK SPACER	HD30004E2M
8	P1505	PUMP CAT 2DX 2@1500-5/8 ELECTRIC	HD15002E1C,HD15002E1M
	P3530	PUMP 3SP35GE 3.4@3000 3/4 ELECTRIC	HD22004E2C,HD22004E2M,HD30004E2M
9	DC066	ELL 3/8" STEEL	ALL
10	D5566	STREET ELL 3/8" BRASS	HD15002E1C,HD22004E2C
11	D2064	NIPPLE 3/8" x 1/4" BRASS	HD15002E1C,HD22004E2C
12	VS051	1/4" ADAPTR FOR LOW PRESS FLOW SW	HD15002E1C,HD22004E2C
13	VS052	FLOW SWITCH LOW P 1/4" 90DEG	HD15002E1C,HD22004E2C
14	VS053	ADAPTER; HOSE BARB; 1/2	HD15002E1C,HD22004E2C
15	D8068	HOSE BARB 1/2"H x 3/8"P BRASS	HD15002E1M,HD22004E2M,HD30004E2M
16	DHB04	TUBING; CLEAR BRADED; 1/4"	ALL
17	VF042	STRAINER CHEM (NO CHECK)	ALL
18	D1061	PLUG 3/8" FLUSH HEAD HEX STEEL	HD22004E2C
19	UPT45	THERM DUMP VALVE 145f 3/8 MPT	HD22004E2M,HD30004E2M
20	UP120	PRESSURE RELIEF 2000psi ORANGE	HD15002E1C,HD15002E1M
	UP128	PRESSURE RELIEF 2800psi BLUE	HD22004E2C,HD22004E2M
	UP137	PRESSURE RELIEF 3700psi BLACK	HD30004E2M
21	DE066	TEE 3/8" STEEL	ALL
22	DE566	SWIEEL 3/8" STEEL	HD15002E1M,HD22004E2M,HD30004E2M
23	DB506	NIPPLE 3/8" STEEL	HD15002E1M,HD22004E2M,HD30004E2M
24	VS005	FLOW SWITCH 8 @ 4200 ST5	HD15002E1M,HD22004E2M,HD30004E2M
25	DE866	SWIVEL 3/8"F x 3/8"M 90 BRAZED	HD15002E1C,HD22004E2C
26	DB507	NIPPLE 3/8" x 1/2" STEEL	ALL
27	DH026	HOSE 3/8" x 26.5" 5000psi	HD22004E2M, HD15002E1C
	DH200	HOSE 3/8" x 20" 5000PSI	HD15002E1M, HD22004E2C
	DH003	HOSE 3/8" x 18" 5000PSI	HD30004E2M
28	D8044	BARB;HOSE; 1/4" BRASS .312 t	ALL
29	BPA10	FUEL PUMP MOD A2V-7116	ALL
30	BPV10	FUEL VALVE 120V	HD15002E1C,HD15002E1M
	BPV20	FUEL VALVE 220V	HD22004E2C,HD22004E2M,HD30004E2M
31	BU605	BURNER, BECKET 115V	HD15002E1C,HD15002E1M
	BU602	BURNER; BECKET SM 230V	HD22004E2C,HD22004E2M,HD30004E2M
32	BM556	BURNER MOTOR 115V BECKET	HD15002E1C,HD15002E1M
	BM562	BURNER MOTOR 220V BECKET	HD22004E2C,HD22004E2M,HD30004E2M
33	EW08	STRAIN RELIEF 1/2" HEYCO (3/8)	ALL
34	BMT15	IGNITION TRANSFORMER 115V BECKET	HD15002E1C,HD15002E1M
	BMT25	IGNITION TRANSFORMER-IRON CORE 240V BECKET	HD22004E2C,HD22004E2M,HD30004E2M
35	BZ101	FUEL NOZZLE1.0 90 W	HD15002E1C,HD15002E1M
	BZ177	FUEL NOZZLE 1.75 90B	HD22004E2C,HD22004E2M,HD30004E2M
36	B0004	END CAP; BURNER END	ALL
38	BN105	DISC RETAINER 12.25 OD W/ 5" HOLE BURNER END	ALL
39	HH005	HD/SM BURNER RAIN GUARD	ALL
40	B0098	COIL WRAP BOTTOM	HD15002E1M
	B0104	COIL WRAP BOTTOM EXTENDED	HD15002E1C,HD22004E2C,HD22004E2M
			HD30004E2M
41	BC140	COIL 1PK 14" 80 SINGLE PASS	ALL
42	B0094	COIL WRAP TOP	HD15002E1M
	B0103	COIL WRAP TOP EXTENDED	HD15002E1C,HD22004E2C,HD22004E2M
			HD30004E2M
43	B0053	INSUL BLKT 50SQ' 1/2x 24 8#25'	ALL
44	BN127	INSULATION DISC RETAINER	ALL
45	B0053	INSUL BLKT 50SQ' 1/2x 24 8#25'	ALL
46	FW225	WASHER 2.25" OD 16 GA STAINLESS STEEL	ALL
47	B0003	END CAP OUTLET END	ALL

12-04-08 EFFECTIVE SN 200802459

48	BC226	COIL ASSEMBLY 1PK SCH 80 SINGLE PASS	HD15002E1M
	BC221	COIL ASSEMBLY 1PK SCH 80 DUAL PASS	HD15002E1C,HD22004E2C,HD22004E2M
			HD30004E2M
49	BC820	BURNER NIPPLE 1/2" x 2" SCH 80	HD15002E1M
	BC830	BURNER NIPPLE 1/2" x 3" SCH 80	HD15002E1C,HD22004E2C,HD22004E2M
			HD30004E2M
50	HHA01	HEX MANI OUTLET 1/2" x 1/2" x REEL	ALL
51	DE568	SWIVEL 3/8"F x 1.2"M STEEL	ALL
52	D1082	PLUG 1/2", STEEL HEX HEAD FLUSH	HD15002E1C,HD22004E2C
54	UPB05	ADAPTER FITTING-BURST DISC	ALL
55	UPB80	BURST DISC 8000psi TORQUE 32-4	ALL
56	HHP29	WIRE HOSE HOOK-ZINC PLATED	ALL
57	HH052	ELECTRICAL BOX HD	ALL
58	ECC12	CONTACTOR 40AMP 115V HG 2pole	HD15002E1C,HD15002E1M
	ECC21	CONTACTOR 40AMP 240V 3pole DEF	HD22004E2C,HD22004E2M,HD30004E2M
59	ECC01	RELAY AC 120V 50/60HZ SPST	HD15002E1C
	ECC02	RELAY AC 240V 50/60HZ SPST	HD22004E2C
60	GLL82	LABEL CONTROL HD 2MIL W/2 MI	ALL
61	EC411	ROCKER SWITCH 110V CLEAR SPST	HD15002E1C,HD15002E1M
	EC421	ROCKER SWITCH 230V CLEAR SPST	HD22004E2C,HD22004E2M,HD30004E2M
62	EC410	ROCKER SWITCH 110V RED SPST	HD15002E1C,HD15002E1M
	EC420	ROCKER SWITCH 230V RED DPST	HD22004E2C,HD22004E2M,HD30004E2M
63	EHG21	HD ELECTRICAL BOX ASSEMBLY	HD15002E1C
	EHG15	HD ELECTRICAL BOX ASEMBLY	HD15002E1M
	EHG22	HD ELECTRICAL BOX ASEMBLY	HD22004E2C
	EHG23	HD ELECTRICAL BOX ASEMBLY	HD22004E2M
	EHG30	HD ELECTRICAL BOX ASEMBLY	HD30004E2M
64	HH030	HD CONTROL PANEL	ALL
65	ECH50	THERMOSTAT; 60-250 1 GP PART=25	ALL
66	GLL75	LABEL HYDRO TEK 34 x 3.00	ALL
67	ECH70	KNOB; BLUE .25id x 1.50od	ALL
68	VVC10	CHEMICAL MET VALVE MV-100 MOD	ALL
69	HLB09	GROMET NOZZLE HOLDER	ALL
70	NQ302	NOZZLE/QDC 03 x 15	HD15002E1C,HD15002E1M
	NQ452	NOZZLE/QDC 045 x 15	HD22004E2C,HD22004E2M
	NQ402	NOZZLE/QDC 04 x 15	HD30004E2M
71	NQ970	NOZZLE/QDC 40.0 x 65	ALL
72	GLL20	LABLE DIESEL FUEL ONLY	ALL
73	D5066	ELL 3/8" BRASS	ALL
74	D7061	HEX NUT 3/8" BRASS-REMOTE UNLOADER	ALL
75	D006M	GARDEN H A 3/8" NPT MALE	ALL
76	D0021	SCREEN WASHER GARDEN H A	ALL
77	FC074	WORM GEAR CLAMP 2 1/2 x 13 1/4	ALL
78	WT075	FUEL TANK 7.5 DIESEL CLEAR	ALL
79	WT080	FUEL CAP; DIESEL	ALL
80	DFF04	FUEL TANK BUSHING 1/4"	ALL
81	DFF04	FUEL TANK BUSHING 1/4"	ALL
82	DFE04	FUEL TANK ELL 1/4"	ALL
83	BF015	FUEL FILTER; INLINE	ALL
84	DQ04S	COUPLER 1/4" SOCK FEMALE	ALL
85	VW036	WAND 1/4" x 36" MOLDED GRIP 580	ALL
86	VG200	TRIGGER GUN, INSULATED 4000psi	ALL
87	DH050	HOSE 3/8" x 50' 3000psi 250F BL	ALL
88	HH032	HD REAR HALF PANEL	ALL
	NQ253	NOZZLE/QDC 025 x 25	HD15002E1M,HD15002E1C
	NQ353	NOZZLE/QDC 035 x 25	HD22004E2C,HD30004E2M