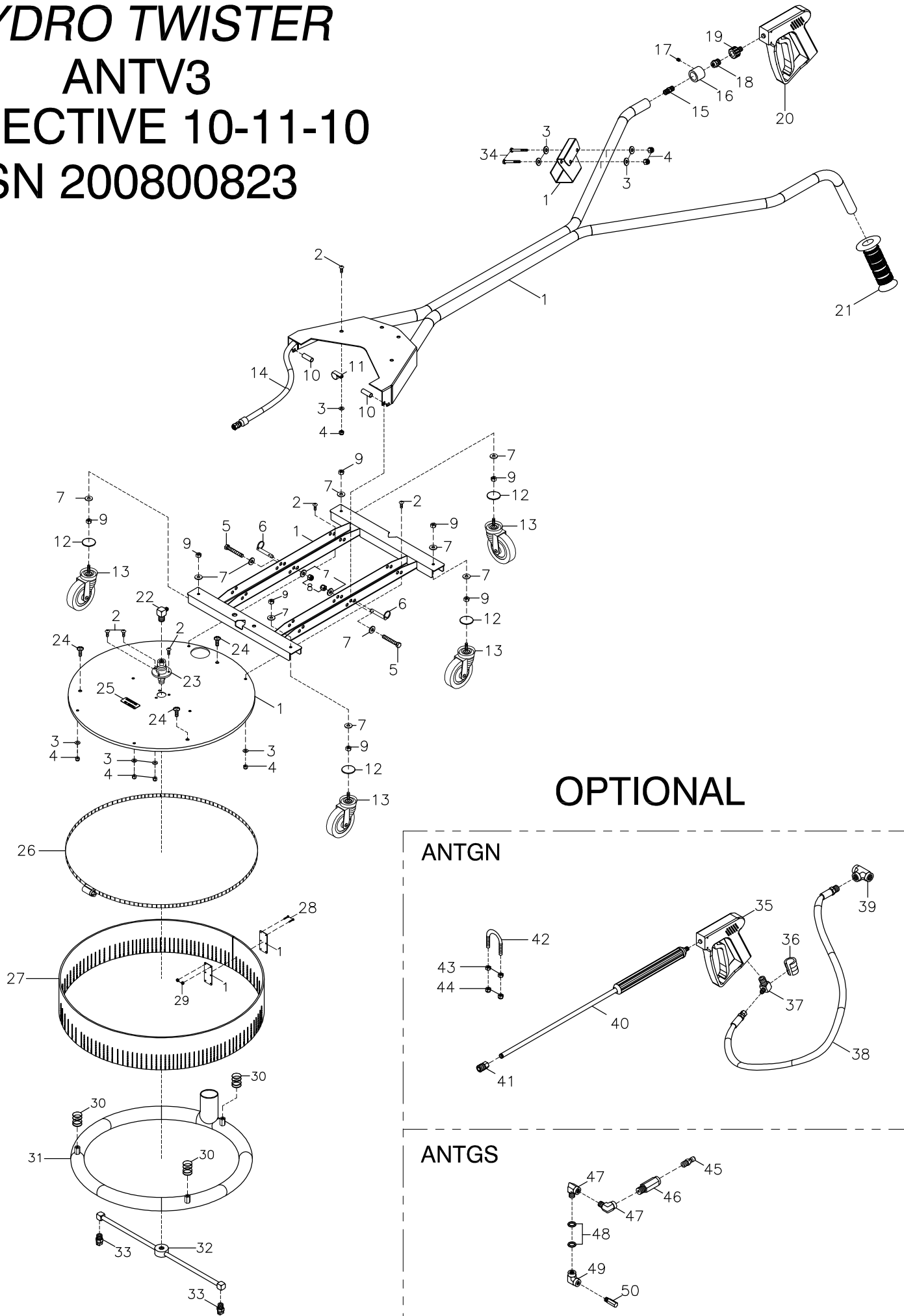


HYDRO TWISTER

ANTV3

EFFECTIVE 10-11-10

SN 200800823



ANTV3 PARTS LIST S/N200800823 10-11-10

1	HLS44	HANDLE/DECK ASM ANTV3
2	FB410	BOLT 1/4" x 3/4" PHIL HD SLT STNL
3	FWS04	WASHER SAE 1/4"SS 9/32" x 5/8"
4	FNLS4	NUT LOCK; 1/4-20 316 STAINLESS
5	FB641	BOLT 3/8" x 2 1/2" PLD ALL-THREAD
6	FP378	QUICK RELEASE PIN 3/8" x 1.8"
7	FWC05	WASHER CUT 5/16" PLD
8	FNL06	NUT-LOCK 3/8"-16 PLD
9	FNR06	NUT 3/8-16 PLD
10	HSC44	HANDEL PIVOT BOLT SPACER SS
11	FD050	CLAMP 1/2" RUBBER COATED
12	DQ605	O-RING 3/32 x 1 5/8 x 13/16
13	HT300	CASTER 3DIA x 15/16" TREAD WIDTH
14	DTW04	HOSE ASSEM. 1/4" x 63" 5000psi
15	DB504	NIPPLE 1/4" STEEL
16	HLS10	GUN/TUBING ADAPTER-STEEL
17	FB312	SET SCREW 5/16-18 x 3/8 CUP PO
18	DQ74F	TWIST COUPLER 1/4 PLUG FEM-sut
19	DQ74T	M22 TWIST COUPLER 1/4" MALE
20	VG200	TRIGGER GUN, INSULATED 4000psi
21	HL010	HAND GRIP 1in MX
22	D5546	STREET ELL 3/8"MPT x 1/4"JIC
23	VAM04	TWISTER SWIVEL CARBIDE 4000
24	FB511	5/16 X 3/4 TRUSS HEAD STNLS
25	GLL05	LABEL SERIAL NUMBER
26	FC094	WORMGEAR CLAMP 2 1/2 X 24 1/4
27	HLR27	BUMPER RUBBER; TWISTER 7' 1 EP
28	FB101	SCREW 6/32 x 3/4" SS SLT PH
29	FNLS1	NUT LOCK; 6/32 316 STAINLESS
30	HPR65	SPRING, 2" VAC TUBE ADJUSTMENT
31	HVC22	VAC TUBE ASSEMBLY 2" 2004 TWISTER VAC
32	VAM16	VAC, TWISTER RTR ARM 16" 2 NOZZ
33	NM252	NOZZLE 025 X 15 X 1/8 MEG
34	FB428	BOLT 1/4 X 1 3/4 SS
	GLL66	LABEL HYDRO TWISTER 10 x 10.75 (NOT SHOWN)
OPTIONAL		
35	VG200	TRIGGER GUN, INSULATED 4000psi
36	ECH75	HEAVY DUTY BEND RESTRICTOR
37	D5546	STREET ELL 3/8"MPT x 1/4"JIC
38	DTW02	HOSE ASSEM. 1/4 X 42 5000PSI
39	DE066	TEE 3/8 STEEL
40	VW036	WAND 1/4 X 36; MOLDED GRIP 580
41	DQ04S	INSULATED COUPLER 1/4 SOCK FEM
42	FB995	U-BOLT 1/4-20 1in GAS PIPE
43	FNR04	NUT 1/4-20 PLAIN STNLS
44	FNLS4	NUT LOCK; 1/4-20 316 STAINLESS
45	DQ04M	COUPLER 1/4 PLUG MALE
46	VF054	HIGH PRESSURE STRAINER 400DEG
47	DC043	STREET ELL 1/4, STEEL
48	HLS19	WASHER .56id X .80od 12GA STAINLESS
49	DC047	ELL 1/4 FP X 1/8 FP STEEL
50	NTM55	NOZZLE MULTIPOINT TWISTER #5.5