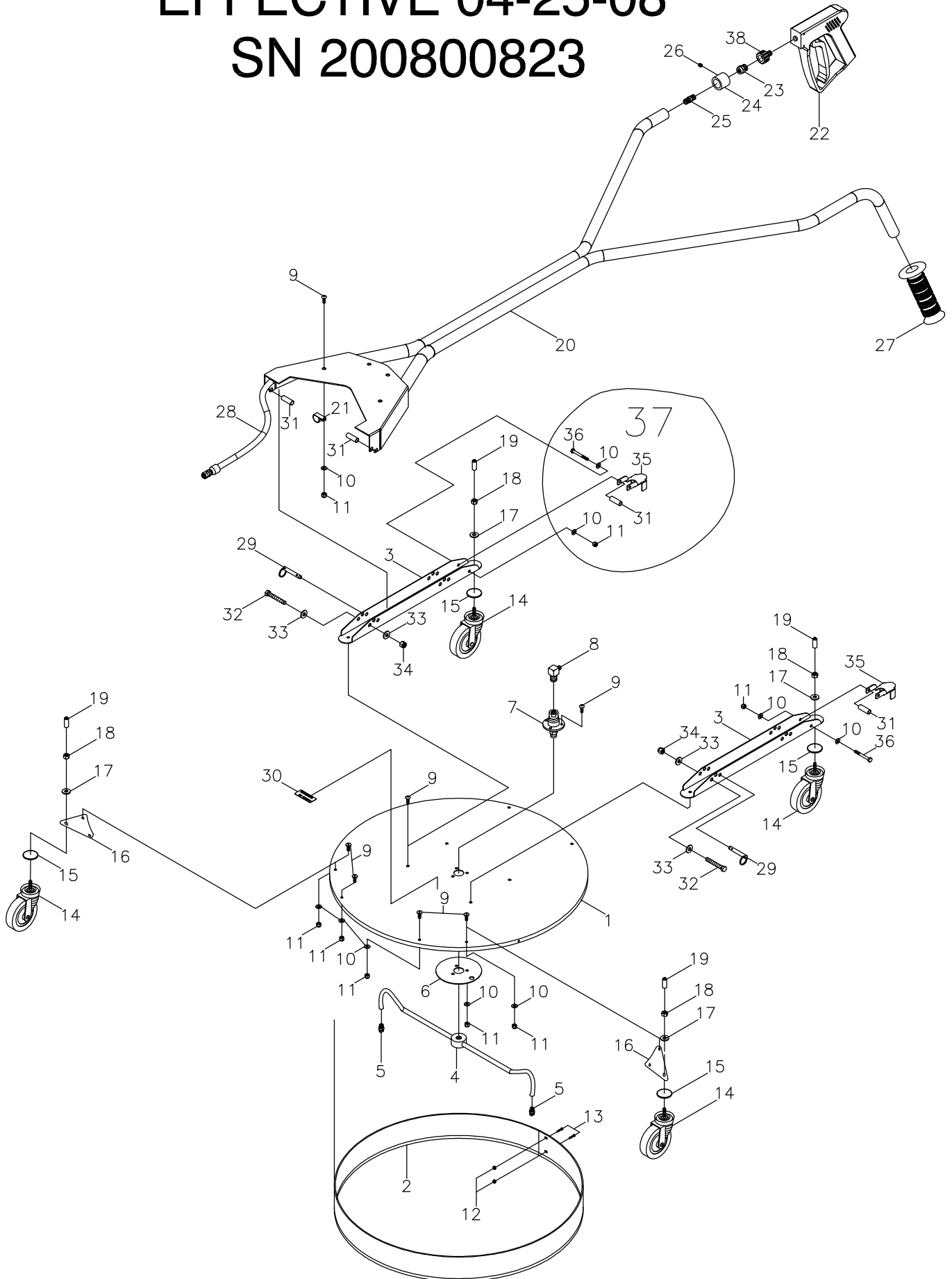


HYDRO TWISTER

ANT28

EFFECTIVE 04-25-08

SN 200800823



ANT28 PARTS LIST

| | | | |
|----|---------|---|-----|
| 1 | HLS28-1 | FLAT DECK ANT28 | ALL |
| 2 | HLH29 | SKIRT 28" FOR ANT28 18 GA STAINLESS | ALL |
| 3 | HLS33 | HANDLE-CASTER BRACKET ANT28, ANT29, ANT3C | ALL |
| 4 | VAM25 | TWISTER ROTAR ARM 26.25" BENT | ALL |
| 5 | NM270 | NOZZLE 027 x 15 x 1/8 MEG | ALL |
| 6 | HLC01 | BACKUP PLATE | ALL |
| 7 | VAM04 | TWISTER SWIVEL CARBIDE 4000 | ALL |
| 8 | D5546 | STREET ELL 3/8"MPT x 1/4"JIC | ALL |
| 9 | FB410 | BOLT 1/4" x 3/4" PHIL HD SLT STNL | ALL |
| 10 | FWS04 | WASHER SAE 1/4"SS 9/32" x 5/8" | ALL |
| 11 | FNLS4 | NUT LOCK; 1/4-20 316 STAINLESS | ALL |
| 12 | FNLS1 | NUT LOCK; 6/32 316 STAINLESS | ALL |
| 13 | FB102 | SCREW 6/32 x 1/2" SS SLT PAN HD | ALL |
| 14 | HT300 | CASTER 3DIA x 15/16" TREAD WIDTH | ALL |
| 15 | DQ605 | O-RING 3/32 x 1 5/8 x 13/16 | ALL |
| 16 | HLS32 | CASTER BRACKET-TWISTER 2006 2 MNT HOLES | ALL |
| 17 | FWC05 | WASHER CUT 5/16" PLD | ALL |
| 18 | FNR06 | NUT 3/8-16 PLD | ALL |
| 19 | HLC16 | CASTER CAP; TWISTERS 1 .343 BL | ALL |
| 20 | HLS31 | HANDLE ASSEMBLY ANT28 | ALL |
| 21 | FD075 | CLAMP 3/4" RUBBER COATED | ALL |

EFFECTIVE 04-25-08 SN 200800823

| | | | |
|----|-------|---|----------|
| 22 | VG200 | TRIGGER GUN, INSULATED 4000psi | ALL |
| 23 | DQ74F | TWIST COUPLER 1/4 PLUG FEM-sut | ALL |
| 24 | HLS10 | GUN/TUBING ADAPTER-STEEL | ALL |
| 25 | DB504 | NIPPLE 1/4" STEEL | ALL |
| 26 | FB312 | SET SCREW 5/16-18 x 3/8 CUP PO | ALL |
| 27 | HL010 | HAND GRIP 1in MX | ALL |
| 28 | DTW04 | HOSE ASSEM. 1/4" x 63" 5000psi | ALL |
| 29 | FP378 | QUICK RELEASE PIN 3/8" x 1.8" | ALL |
| 30 | GLL05 | LABEL SERIAL NUMBER | ALL |
| 31 | HSC44 | HANDLE PIVOT BOLT SPACER SS | ALL |
| 32 | FB641 | BOLT 3/8" x 2 1/2" PLD ALL-THREAD | ALL |
| 33 | FWC05 | WASHER CUT 5/16 PLD* | ALL |
| 34 | FNL06 | NUT-LOCK 3/8"-16 PLD | ALL |
| 35 | HLS26 | RIGID CASTER BRACKET | OPTIONAL |
| 36 | FB436 | BOLT 1/4" x 2 1/4" STAINLESS STEEL | OPIONAL |
| 37 | ACT00 | RIDGID CASTER BRACKET KIT | OPTIONAL |
| 38 | DQ74T | M22 TWIST COUPLER 1/4" MALE | ALL |
| | GLL66 | LABEL HYDRO TWISTER 10 x 10.75 NOT SHOWN | ALL |