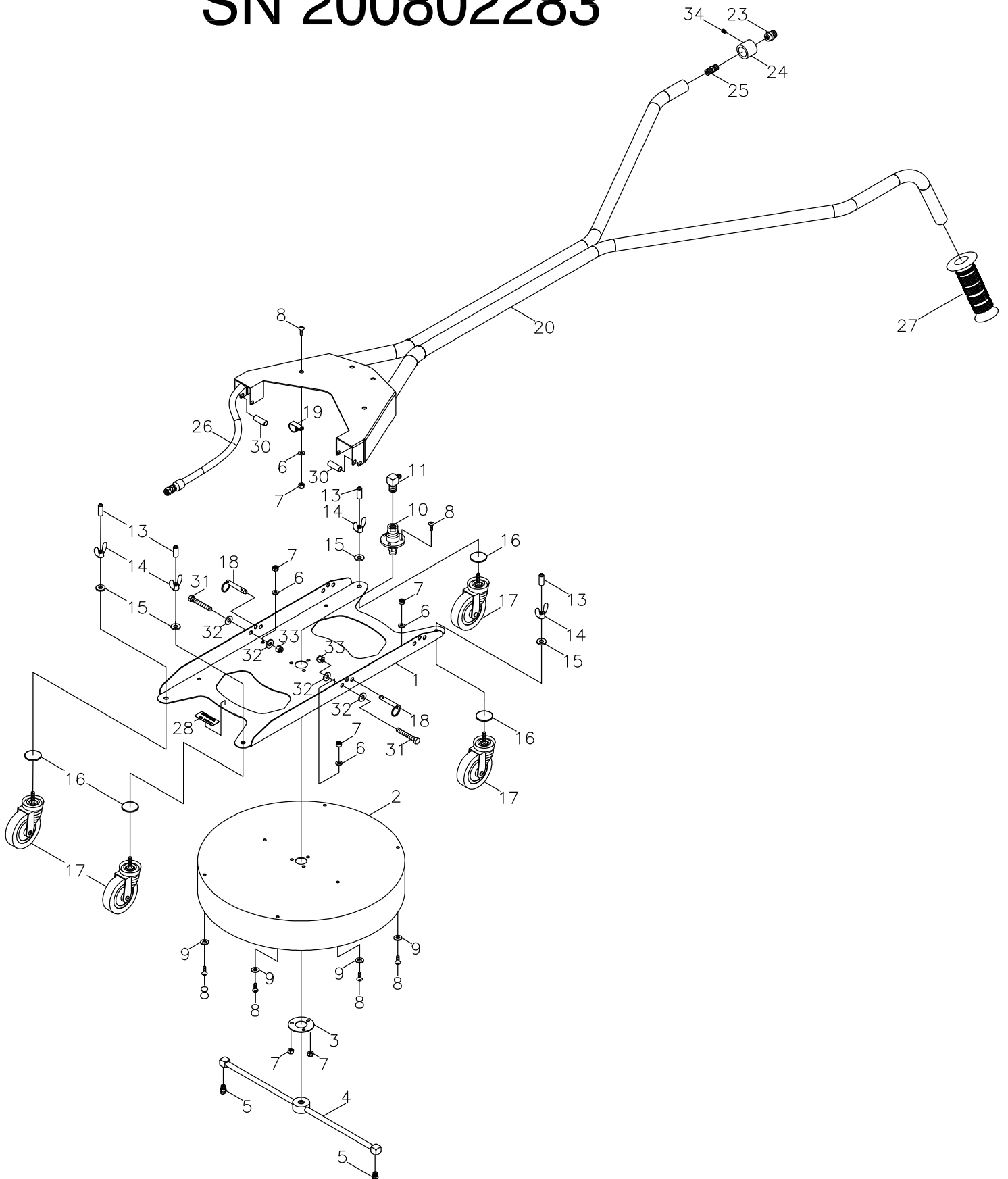


HYDRO TWISTER

ANT20

EFFECTIVE 10-29-08
SN 200802283



ANT20 PARTS LIST

1	HLS2R	HANDLE/CASTER BRACKET	ALL
2	HLC02	DECK-19 7/8" DIA. LASTIC-WHITE	ALL
3	HLS23-5	ANT22 SPACER PLATE	ALL
4	VAM18	TWISTER ROTAR ARM 18"	ALL
5	NM202	NOZZLE 02 x 15 x 1/8 MEG	ALL
6	FWS04	WASER SAE 1/4" SS 9/32" x 5/8"	ALL
7	FNLS4	NUT LOCK; 1/4-20 316 STAINLESS	ALL
8	FB410	BOLT 1/4" x 3/4" PHIL HD SS	ALL
9	FWS06	WASHER 1/4" 7/8"OD STNLS	ALL
10	VAM04	TWISTER SWIVEL CARBIDE 4000	ALL
11	D5546	STREET ELL 3/8MPT x 1/4JIC	ALL
13	HLC16	CASTER CAP; TWISTER 1 .343 BL	ALL
14	FNW06	WING NUT 3/8-16 316 STAINLESS	ALL
15	FWC05	WASHER CUT 5/16" PLD*	ALL
16	DQ605	O-RING 3/32" x 1 5/8" x 13/16"	ALL
17	HT300	CASTER 3DIA. X 15/16" TREAD WIDTH	ALL
18	FP378	QUICK RELEASE PIN 3/8" x 1.8 IN	ALL
19	FD075	CLAMP 3/4" RUBBER COATED	ALL
20	HLS29	HANDLE ASSEM. ANT 20 (2006) MODELS	ALL

EFFECTIVE 10-29-08 SN 200802283

23	DQ74F	TWIST COUPLER 1/4 PLUG FEM-sut	ALL
24	HLS10	GUN/TUBING ADAPTER STEEL	ALL
25	DB504	NIPPLE 1/4" STEEL	ALL
26	DTW04	HOSE ASSEM 1/4' x 63" 5000PSI	ALL
27	HL010	HAND GRIP 1 in MX*	ALL
28	GLL05	LABEL SERIAL NUMBER	ALL
30	HSC44	HANDLE PIVOT BOLT SPACER SS	ALL
31	FB641	BOLT 3/8" x 2 1/2" PLD ALL-THREAD	ALL
32	FWC05	WASHER CUT 5/16 PLD*	ALL
33	FNL06	NUT-LOCK 3/8"-16 PLD	ALL
34	FB312	SET SCREW 5/16-18 x 3/8 CUP PO	ALL
	GLL66	LABEL HYDRO TWISTER 10 x 10.75 NOT SHOWN	ALL