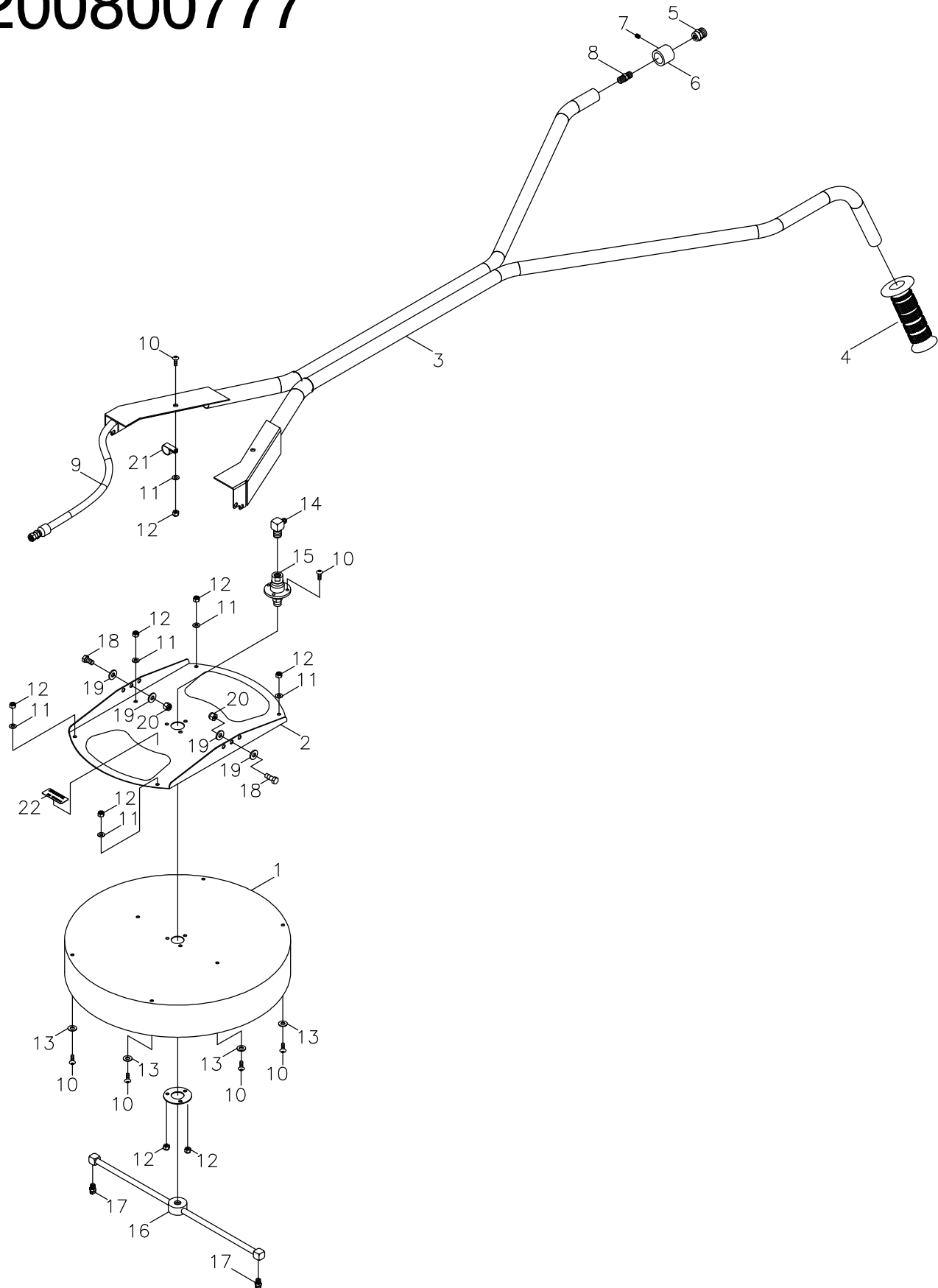


HYDRO TWISTER

ANT19

EFFECTIVE 04-07-08

SN 200800777



ANT19 PARTS LIST

1	HLC20	DECK-19 7/8" DIA. PLASTIC-WHITE	ALL
2	HLS60	DECK FRAME ASSEMBLY ANT19	ALL
3	HLS61	HANDLE ASSEMBLY ANT19	ALL
4	HL010	HAND GRIP 1in MX*	ALL
5	DQ74F	TWIST COUPLER 1/4 PLUG FEM-sut	ALL
6	HLS10	GUN/TUBING ADAPTER STEEL	ALL
7	FB312	SET SCREW 5/16-18 x 3/8 CUP PO	ALL
8	DB504	NIPPLE 1/4 STEEL	ALL
9	DTW04	HOSE ASSEM. 1/4 x 63" 5000psi	ALL
10	FB410	BOLT 1/4 x 3/4 PHIL HD SS	ALL
11	FWS04	WASHER SAE 1/4 SS 9/32 x 5/8*	ALL
12	FNLS4	NUT LOCK; 1/4-20 316 STAINLESS	ALL
13	FWS06	WASHER 1/4 7/8od STAINLESS	ALL
14	D5566	STREET ELL 3/8MPT x 1/4JIC	ALL
15	VAM04	TWISTER SWIVEL CARBIDE 4000	ALL
16	VAM18	TWISTER ROTOR ARM, 18"	ALL
17	NM202	NOZZLE 02 x 15 x 1/8 MEG	ALL
18	FB612	BOLT 3/8 x 3/4 HEX STAINLESS	ALL
19	FWC05	WASHER CUT 5/16 PLD*	ALL
20	FNL06	NUT LOCK 3/8-16 PLD	ALL

EFFECTIVE 04-07-08 SN 200800777

21	FD075	CLAMP 3/4 RUBBER COATED	ALL
22	GLL05	LABEL SERIAL NUMBER	ALL
	GLL66	LABEL HYDRO TWISTER 10 x 10.75 NOT SHOWN	ALL