

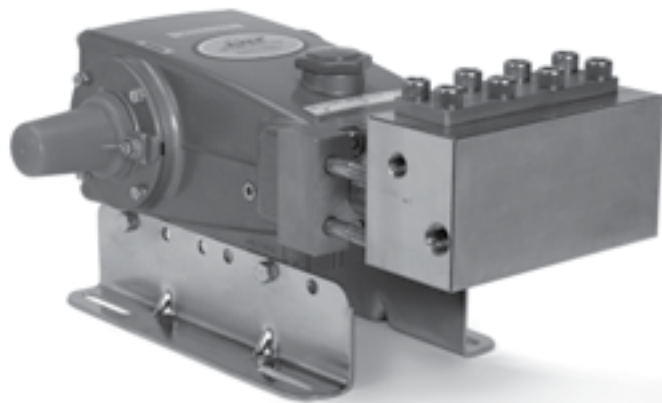
DATA SHEET

15 FRAME BLOCK STYLE PLUNGER PUMPS



**Stainless Steel
Model:**

1570



(Rails and shaft protector sold separately)

FEATURES

- Triplex design offers high efficiency and low pulsation.
- Durable V-Packings are lubricated and cooled by pumped liquid.
- Pre-set Lo-Pressure Seals provide secondary protection against external leaks and require no packing adjustment.
- Special high density, polished, concentric plungers provide a true wear surface and extended seal life.

SPECIFICATIONS

	U.S. Measure	Metric Measure
Flow	6.0 gpm	22.7 lpm
Pressure Range	100-6000 psi	7-414 bar
RPM	1350 rpm	1350 rpm
Inlet Pressure Range	Flooded to 60 psi	Flooded to 4.2 bar
Bore	0.630"	16 mm
Stroke	1.181"	30 mm
Crankcase Capacity	42 oz.	1.26 l
Max. Liquid Temperature	120° F	48° C
Above 130°F call Cat Pumps for inlet conditions and elastomer recommendations.		
Inlet Ports (2)	1/2" NPT(F)	1/2" NPT(F)
Discharge Ports (2)	3/8" NPT(F)	3/8" NPT(F)
Pulley Mounting	Either Side	Either Side
Shaft Diameter	1.181"	30 mm
Weight	68.3 lbs.	31 kg
Dimensions	17.99 x 13.37 x 7.01"	457 x 340 x 178 mm

ELECTRIC HORSEPOWER REQUIREMENTS

FLOW		PRESSURE				RPM	DRIVE
		psi 3000	psi 4000	psi 5000	psi 6000		
U.S. gpm	l/m	bar 210	bar 275	bar 345	bar 414		Consult Cat Pumps for Pump and Motor Pulley Sizes
6	23	12.3	16.4	20.5	24.7	1350	
5	19	10.3	13.7	17.1	20.5	1125	
4	15	8.2	11.0	13.7	16.4	900	

$$\frac{\text{DETERMINING THE PUMP R.P.M.}}{\text{Rated rpm}} = \frac{\text{"Desired" gpm}}{\text{"Desired" rpm}}$$

$$\frac{\text{DETERMINING THE REQUIRED H.P.}}{\text{gpm x psi}} = \frac{\text{Electric Brake}}{\text{1460 H. P. Required}}$$

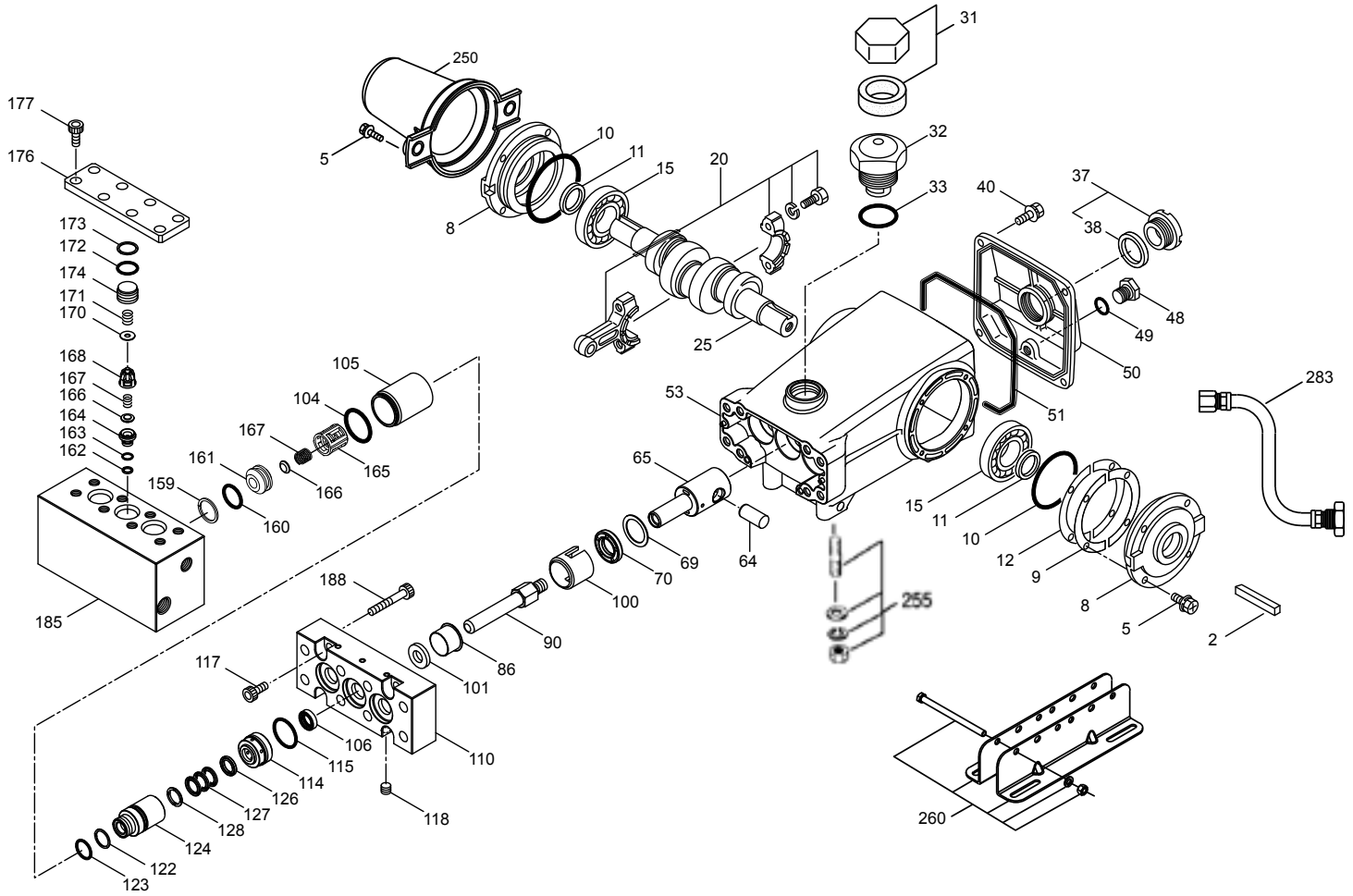
$$\frac{\text{DETERMINING MOTOR PULLEY SIZE}}{\text{Motor Pulley O.D.}} = \frac{\text{Pump Pulley O.D.}}{\text{Pump rpm Motor rpm}}$$

See complete Drive Packages [Incls: Pulleys, Belts, Hubs, Key] Tech Bulletin 003.
Refer to pump **Service Manual** for repair procedure and additional technical information.

PARTS LIST

ITEM	P/N	MATL	DESCRIPTION	QTY
2	990036	STL	Key (M8x7x40) Use w/30059 and 990012	1
—	30067	STL	Key (M8x7.5x25) Use w/30059 "H" Hub	1
5	125824	STCP R	Screw, HHC, Sems (M6x16)	8
8	43496	AL	Cover, Bearing	2
9	815281	FBR	Shim, Split, 2-Pc	3
10	11340	NBR	O-Ring, Bearing Cover - 70D	2
11	43495	NBR	Seal, Oil, Crankshaft - 70D	2
12	814800	S	Shim, Split, 2-Pc	2
15	39060	STL	Bearing, Roller	2
20	126805	BZ	Rod, Connecting Assembly	3
25	43494	FCM	Crankshaft, Dual-End (30mm)	1
31	828710	PE	Protector, Oil Cap w/Foam Gasket	1
32	43211	ABS	Cap, Oil Filler	1
33	14177	NBR	O-Ring, Filler Cap - 70D	1
37	92241	—	Gauge, Oil, Bubble w/Gasket - 80D	1
38	44428	NBR	Gasket, Flat, Oil Gauge - 80D	1
40	126541	STCP R	Screw, HHC, Sems (M6x20)	4
48	25625	STCP	Plug, Drain (1/4"x19BSP(M))	1
49	23170	NBR	O-Ring, Drain Plug - 70D	1
50	43491	AL	Cover, Rear	1
51	44834	NBR	O-Ring, Rear Cover - 70D	1
53	131770	AL	Crankcase	1
64	43507	CM	Pin, Crosshead	3
65	131772	SBZ	Rod, Plunger	3
69	126592	STCP R	Washer, Oil Seal	3
70	43500	NBR	Seal, Oil Crankcase - 80D	3
86	131777	D	Collar	3
90	132150	CC	Assembly, Plunger	3
100	125649	D	Retainer, Seal	3
101	131740	—	Wick	3
104	126148	NBR	O-Ring, Cylinder - 70D	3
105	131783	S	Cylinder, Outer	3
106	48222	NBR	Seal, LPS w/S-Spg	3
110	131778	AL	Block, Housing	1
114	132153	S	Case, Seal	3
115	13986	NBR	O-Ring, Seal Case - 70D	3
117	131779	S	Screw, HSH (M10x40)	4
118	165769	S	Plug	3
122	49850	PTFE	Back-up-Ring, Cylinder	3
123	49382	NBR	O-Ring, Cylinder - 90D	3
124	132154	S630	Cylinder, V/P	3
126	131744	PE	Adapter, Female	3
127	43319	SNG	V-Packing	9
128	43318	BB	Adapter, Male	3
159	131788	PTFE	Back-up-Ring, Inlet Seat	3
160	142807	NBR	O-Ring, Seat, Inlet - 90D	3
161	131787	S630	Seat, Inlet	3
162	129638	PTFE	Back-up-Ring, Discharge Seat	3
163	49104	NBR	O-Ring, Seat, Discharge Seat	3
164	131790	S630	Seat, Discharge	3
165	132679	PVDF	Retainer, Spring, Inlet	3
166	46562	S	Valve	6
167	43750	S	Spring, Valve	6
168	44565	PVDF	Retainer, Spring, Discharge	3
170	131757	S	Washer	3
171	44832	S	Spring, Coil	3
172	49382	NBR	O-Ring, Valve Plug - 90D	3
173	49850	PTFE	Back-up-Ring, Valve Plug	3
174	131791	S	Plug, Valve	3
176	131792	AL	Cover, Valve	1
177	122599	S	Screw, HSH (M12x25)	8
185	132156	S	Manifold, Inlet/Discharge	1
188	131793	S	Screw, HSH (M12 x 90)	8

EXPLODED VIEW



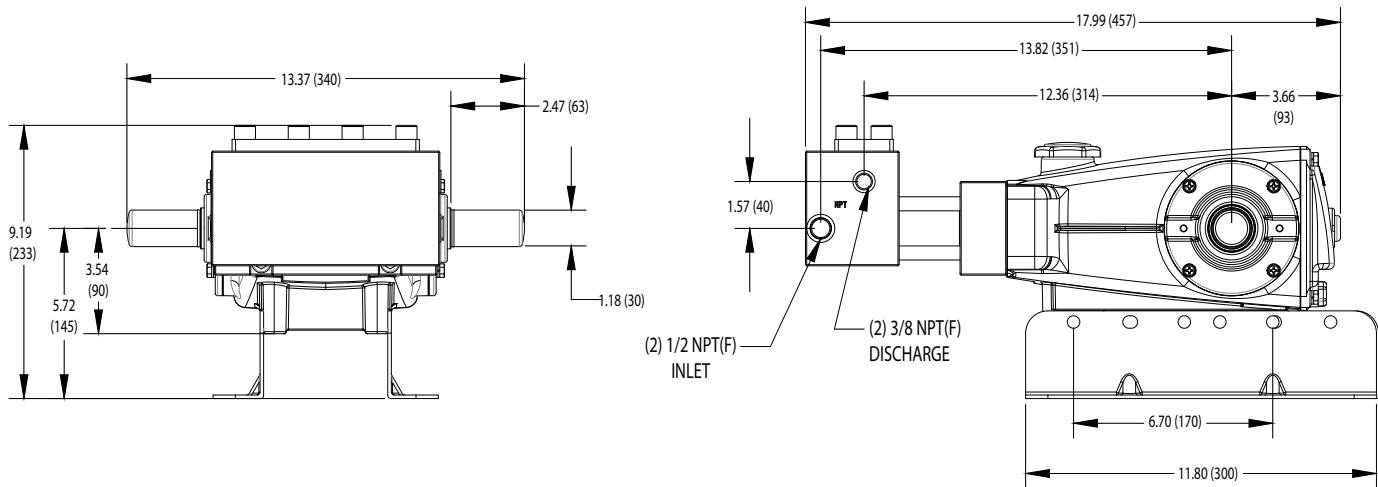
ITEM	P/N	MATL	DESCRIPTION	QTY
250	30764	NY	Protector, Shaft w/2 Screws	1
255	30264	STZP	Mount, Direct	1
260	30613	STZPR	Mount, Rail Assy	1
269	30206	F	Pulley (10") [See Tech Bulletin 003]	1
270	30059	STL	Hub, "H", M30 (Keyway M8) [See Tech Bulletin 003]	1
—	990012	STL	Hub, "B", M30 (Keyway M8) [See Tech Bulletin 003]	1
283	34334	—	Kit, Oil Drain (3/8" x 24")	1
290	6124	—	Sealant, Hylomar (3 oz.)	1
299	818577	AL	Head, Complete	1
300	76389	NBR	Kit, Seal (Incls: 101, 104, 106, 115, 122, 123, 126, 127)	1
310	76390	S	Kit, Valve (Incls: 159, 160, 161, 162, 163, 164, 165, 166, 167, 168, 172, 173)	1
—	6107	—	Oil, Bottle (21 oz.) ISO-68 Hydraulic (Fill to specified crankcase capacity prior to start-up)	1

Italics are optional items. R Components comply with RoHS Directive.

See Tech Bulletins 002, 003, 024, 035, 036, 043, 053, 074, 077 and 083 for additional information.

MATERIAL CODES (Not Part of Part Number): ABS=ABS Plastic AL=Aluminum BB=Brass BZ=Bronze CC=Ceramic CM=Chrome-moly D=Acetal
 F=Cast Iron FBR=Fiber FCM=Forged Chrome-moly NBR=Medium Nitrile (Buna-N) NY=Nylon PE=Polyethylene POP=Polypropylene
 PTFE=Pure Polytetrafluoroethylene PVDF=Polyvinylidene Fluoride S=304SS SNG=Special Blend (Buna)
 STCP=Steel/Chrome Plated STL=Steel STZP=Steel/Zinc Plated S630=304SS/Hardened

DIMENSIONAL



⚠ CAUTIONS AND WARNINGS

All High Pressure Systems require a primary pressure regulating device (i.e. regulator, unloader) and a secondary pressure relief device (i.e. pop-off valve, relief valve). Failure to install such relief devices could result in personal injury or damage to pump or property. Cat Pumps does not assume any liability or responsibility for the operation of a customer's high pressure system.

Read all CAUTIONS and WARNINGS before commencing service or operation of any high pressure system. The CAUTIONS and WARNINGS are included in each service manual and with each Accessory Data sheet. CAUTIONS and WARNINGS can also be viewed online at www.catpumps.com/cautions-warnings or can be requested directly from Cat Pumps.

WARRANTY

View the Limited Warranty on-line at www.catpumps.com/warranty.



CAT PUMPS

1681 - 94TH LANE N.E. MINNEAPOLIS, MN 55449-4324
 PHONE (763) 780-5440 — FAX (763) 780-2958
 e-mail: techsupport@catpumps.com
www.catpumps.com



Lynco Products Inc
 # 114, 1220 - 28 STREET N.E
 CALGARY, AB T2A 6A2
 403-250-3600 / 1-877-249-3600
sales@lyncoopro.com / www.lyncoopro.com